

Residential Elevators * Wheelchair-Compatible Elevators
 RESIDENTIAL AND COMMERCIAL DUMBWAITERS

CUSTOMER:

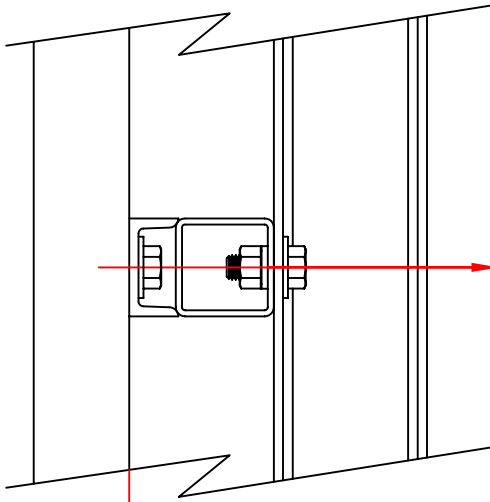
CONTRACTOR:

TITLE: PACA GLIDE
 NOTES & SPECIFICATIONS
 750/1000 LB. CAPACITY

QUOTE NUMBER:

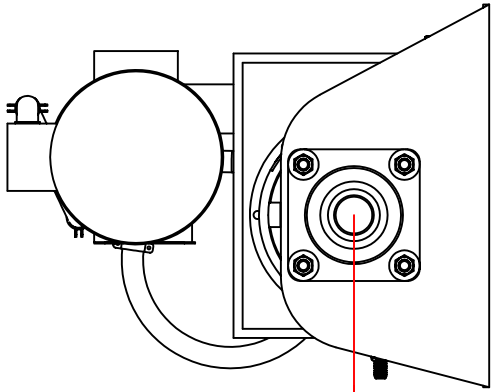
DRAWN BY:	SCALE:	DWG. NO.
APPD:	DATE:	C-002080

REVISIONS			
LETTER:	DESCRIPTION:	DATE:	BY:

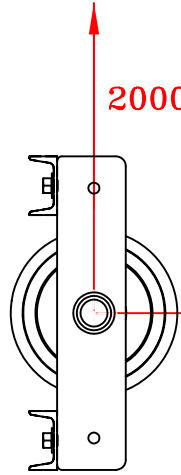


300 LBS. MAX TENSION PER FASTENER

300 LBS. MAX SHEAR PER FASTENER

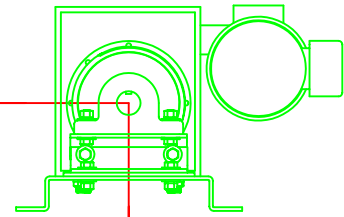


2000 LB.



2000 LB.

2000 LB.



2000 LB.

300 LB.

GENERAL NOTES

THE FOLLOWING IS TO BE PROVIDED BY THE PURCHASER AND/OR CONTRACTOR UNLESS OTHERWISE SPECIFIED.

- ELEVATOR TO BE CONSTRUCTED IN ACCORDANCE WITH ASME A17.1 PART 5.3 AND ALL LOCAL CODES.
- ELECTRICAL REQUIREMENTS ARE BY OTHERS AS FOLLOWS:
 230 VAC 20 AMP CIRCUIT 1 PHASE FUSED WITH 20 AMP SLOW BLOW FUSE TO BE INSTALLED IN A LOCKABLE FUSED DISCONNECT.
 120 VAC 15 AMP CIRCUIT 1 PHASE FUSED WITH 15 AMP SLOW BLOW FUSE.
- A MINIMUM OF ONE HOISTWAY DOOR, ENTRANCE, AND ASSOCIATED FRAMING SHALL BE LEFT UNFINISHED UNTIL THE ELEVATOR IS SET IN PLACE.
- HOISTWAY MUST BE PLUM WITHIN 1/8 INCH PER 10 FT OF HEIGHT AND SQUARE AT ANY POINT WITHIN 1/4 INCH BASED ON DIFFERENCE IN DIAGONAL MEASUREMENTS.
- MACHINE ROOM MUST BE PROVIDED FOR THE OPERATING EQUIPMENT THAT MEETS N.E.C. CLEAR SPACE REQUIREMENTS AND ALL LOCAL CODES. MACHINE ROOM MUST HAVE A LIGHT AND A CONVENIENCE OUTLET.
- ALL HOISTWAY DOORS REQUIRE AN INTERLOCK, DOOR HANDLE, AND LATCH SET.
- STRUCTURE MUST BE CAPABLE OF SUPPORTING THE APPROPRIATE LOADS. LOCAL ENGINEERING SUPPORT IS RECOMMENDED.
- ANY ALTERATIONS TO THE EQUIPMENT WITHOUT WRITTEN AUTHORIZATION BY WAUPACA ELEVATOR WILL VOID ALL WARRANTIES.
- WHEN USED, CONCRETE MUST BE A MINIMUM OF 4" THICK 3500 PSI.
- LOAD ON PIT FLOOR IS 4000 LBS.

GENERAL SPECIFICATIONS

RATED LOAD (CAPACITY):		SPEED:	40 FPM
WEIGHT OF CAB,GATE(S),AND FIXTURES SHALL NOT EXCEED 500LBS.			
SUSPENSION ROPE:	(2) 3/8-8x19 TRACTION STEEL FC		
GUIDE RAIL:	J-TYPE CONFIGURATION		
GEAR BOX RATIO:	100:1		
DRUM DIAMETER:	7.875 in.		
MOTOR:	3 HP 230 VOLTS 8.6 FLA 60 HZ 3PH		
CAB LIGHT CIRCUIT:	120V, 15A		
CAB ALARM BELL:	ALARM W/BATTERY		
CAB MODEL:			
CAB SIZE:			
TRAVEL:	NUMBER OF STOPS:		
HOISTWAY DOOR INTERLOCKS:			