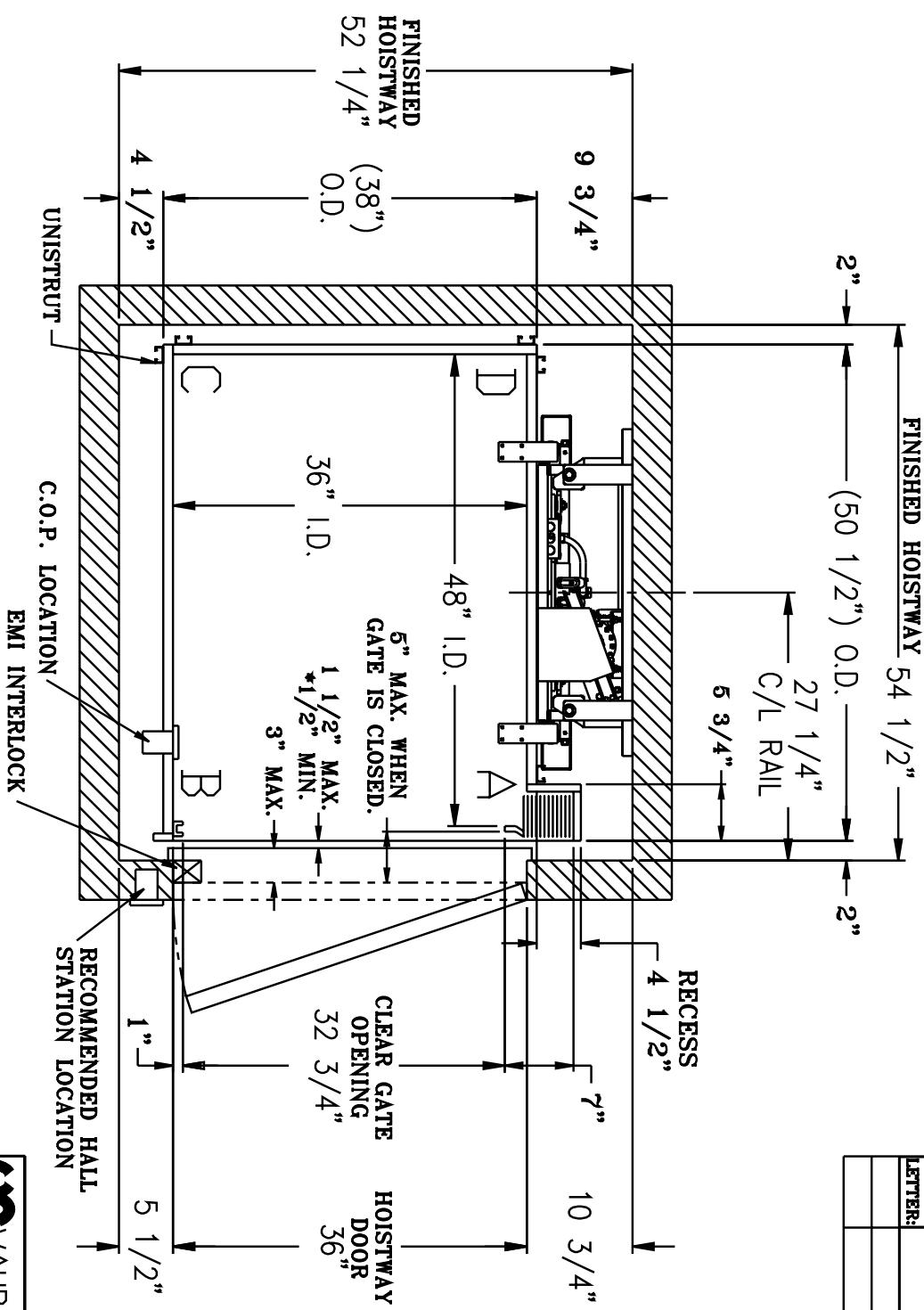


REVISIONS		
LETTER:	DESCRIPTION:	DATE: BY:



NOTE:
 HOISTWAY BY OTHERS PER
 CODE. WALLS TO BE PLUMB
 AND SQUARE. ALL HOISTWAY
 DOORS BY OTHERS PER CODE.

WPA
ELEVATOR CO., INC.
 1726 North Bellard Road
 Appleton, WI 54911
 Phone: 800-538-8739

Residential Elevators * Wheelchair-Complible Elevators
 RESIDENTIAL AND COMMERCIAL DUMBWAITERS
 CUSTOMER:

CONTRACTOR:

TITLE: PACA RYDE
 ACCORDION GATE
 QUOTE NUMBER: SINGLE OPENING ABR

DRAWN BY: SCALE: DWG. NO.
 APPD: DATE: C-002568