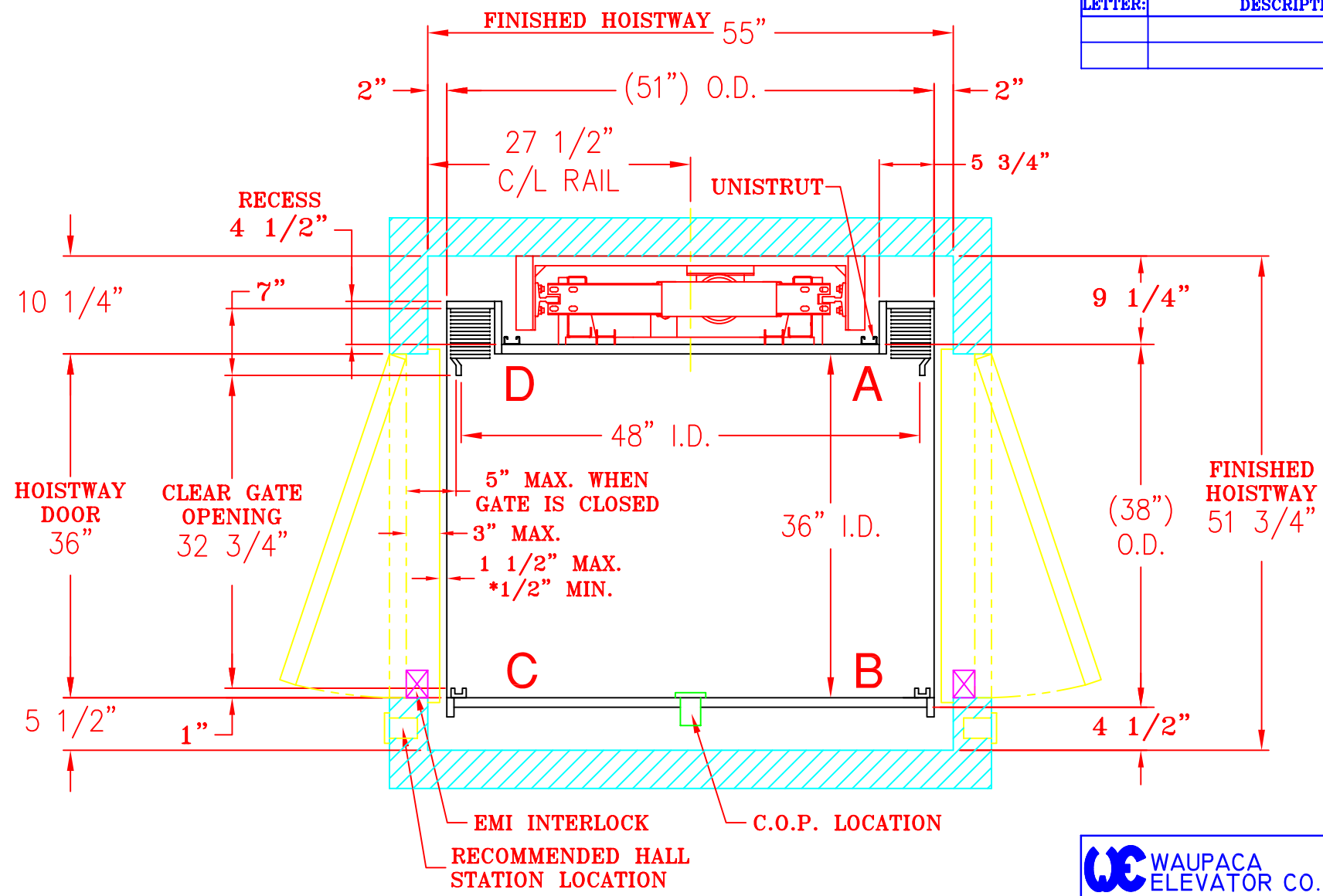


REVISIONS			
LETTER:	DESCRIPTION:	DATE:	BY:



**NOTE:**  
 HOISTWAY BY OTHERS PER CODE. WALLS TO BE PLUMB AND SQUARE. ALL HOISTWAY DOORS BY OTHERS PER CODE.

1726 North Ballard Road  
 Appleton, WI 54911  
 Phone: 800-238-8739

**WE WAUPACA ELEVATOR CO., INC.**  
 Residential Elevators \* Wheelchair-Compatible Elevators  
 RESIDENTIAL AND COMMERCIAL DUMBWAITERS  
 CUSTOMER:  
 CONTRACTOR:  
 TITLE: **HYDRAULIC EXCELEVATOR ACCORDION GATE ABR DCR OPENING**  
 QUOTE NUMBER:  
 DRAWN BY: SCALE: DWG. NO. C-002185  
 APPD: DATE: