



WAUPACA
ELEVATOR COMPANY, INC.



COMMERCIAL DUMBWAITERS

WAUPACA ELEVATOR

Waupaca Elevator specializes in the manufacture of winding-drum dumbwaiters designed for both residential and commercial use.

Incorporated in 1957, Waupaca Elevator began manufacturing screw-drive residential dumbwaiters, later incorporating winding-drum technology. Use of this highly efficient and cost effective drive design has facilitated the production of a uniquely affordable dumbwaiter line.

After two expansions to the factory in Waupaca, the company moved 36 miles east to a larger location in Appleton, Wisconsin. The new location offers three times the floor space, plus room for future growth.

Today, Waupaca Elevator continues to pursue cutting edge technology to enhance the convenience and affordability of its dumbwaiter line. Whether building new or remodeling, "Specify the Specialists" – **Waupaca Elevator.**



Optional stainless steel

Commercial

An intensely competitive business economy dictates that today's business owner demand efficiency and cost effectiveness from all aspects of the business. Sturdy Waupaca commercial dumbwaiters meet and exceed these demands by offering flexible solutions to a diverse range of material handling concerns. A long list of available options, capacities, and custom car sizes, facilitate a design that is tailor made to fit your needs. Restaurants, offices, medical facilities, clubs, and institutions are a few of the many businesses that employ a Waupaca Dumbwaiter to enhance efficiency and profitability.

Paca-Waiter®

Commercial/Large Capacity
Residential dumbwaiter

The Paca-Waiter is designed to meet the needs of today's business owners. Available with a capacity from 200 lbs. to 500 lbs. this model is sure to offer safety and convenience to any multi-level business scenario. Cars are standard in painted steel and available in stainless steel. The addition of bi-parting or slide-up gates are required. Commercial hoistway doors are also available to complete the package. The Paca-Waiter's winding-drum drive system and heavy duty steel channel guide rails are designed to withstand the rigors of daily commercial use, however, this model is also popular with home owners who require additional carrying capacity. Whether lifting cartons, food, carts or firewood, the Paca-Waiter has the muscle for the job.



Features

Standard

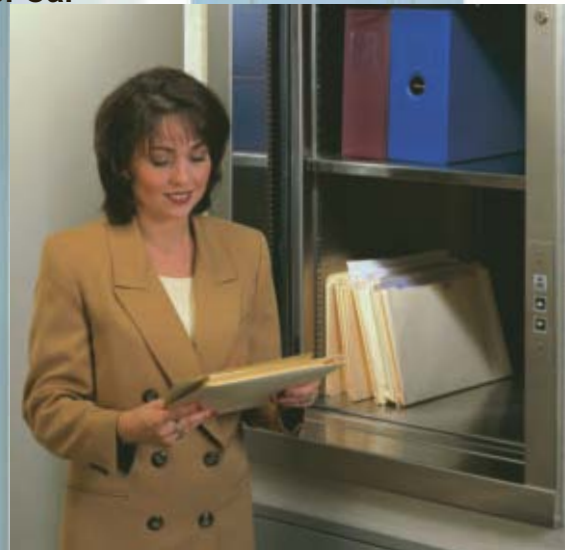
- Car Safety
- Slack Cable Device
- Top Final Limit Switch
- UL Certified Controller
- Call-Send Stations
- 200 lb, 300 lb, or 500 lb Capacity
- Car Gates
- Heavy Duty Welded Steel Car

Options

- Hoistway Doors
- Car Shelves
- Car Light
- “Car Here” Indicator
- “In Use” Indicator
- Door Open Buzzer
- Lantern and Gong
- Stainless Steel
- Access Door

Applications

- Restaurants
- Retail Stores
- Medical Facilities
- Offices
- Financial Institutions
- Government Buildings
- Libraries
- Warehouses
- Manufacturing Facilities
- Residential



Add safety and convenience to the efficiency of your business environment.

Painted steel car with Bi-parting gates

PACA-WAITER SPECIFICATIONS

CAPACITY – 200lb, 300lb, or 500lb.

TRAVEL – up to 50 ft.

STOPS – up to 6 stops.

SPEED – 50 feet per minute.

OVERHEAD – with machine below:

PW - 200: 98"

PW - 300: 104"

PW - 500: 116"

with machine overhead:

PW - 200: 120"

PW - 300: 124"

PW - 500: 132"

GUIDE RAILS – heavy gauge steel channel.

ELECTRIC SUPPLY – 230 volts, single phase standard. 208/230 volts, three phase, available. For 208 volts, single phase, a Buck Boost transformer must be added.

POWERHEAD – single speed winding drum with 1 HP or 2 HP motor.

BRAKE – electromagnetic drum brake, electrically released and spring applied.

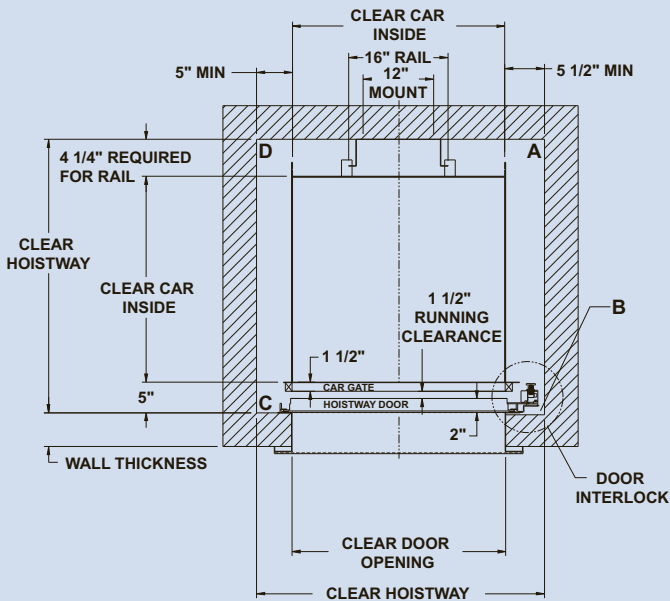
CONTROLS – momentary contact call/send push buttons at each landing.

SAFETIES – twin instantaneous broken cable, applied by a retained compression spring.

CABLE – 3/16" or 5/32" diameter aircraft cable.

HOISTWAY DOOR INTERLOCKS – required at each landing.

EMERGENCY LOWERING – manual hand crank.



Waupaca Elevator Dumbwaiters

At-a-glance comparisons

MODEL	CW-50	CW-100	PW-200	PW-300	PW-500
Capacity	50 lbs.	100 lbs.	200 lbs.	300 lbs.	500 lbs.
Standard car size					
Width	16 in.	20 in.	26 in.	30 in.	36 in.
Depth	16 in.	20 in.	26 in.	30 in.	36 in.
Height	24 in.	30 in.	36 in.	40 in.	48 in.
Travel – Maximum	50 ft.	50 ft.	50 ft.	50 ft.	50 ft.
Standard loading height	30 in.	30 in.	36 in.	36 in.	36 in.
Speed	30 fpm.	30 fpm.	50 fpm.	50 fpm.	50 fpm.
Voltage (standard)	115 vac.	115 vac.	230 vac.	230 vac.	230 vac.
Motor Horsepower	3/4 hp.	3/4 hp.	1 hp.	2 hp.	2 hp.
Landing stations	Included	Included	Included	Included	Included
Interlocks (required)	Not Incl.	Not Incl.	Not Incl.	Not Incl.	Not Incl.
Approx. shipping wt.	420 lbs.	520 lbs.	750 lbs.	800 lbs.	900 lbs.

Contact Waupaca Elevator or your local dealer for more information about Waupaca's complete line of Residential & Commercial dumbwaiters.



**WAUPACA
ELEVATOR COMPANY, INC.**

1726 North Ballard Appleton, Wisconsin 54911
1-800-238-8739

website: www.waupacaelevator.com

Your Authorized Waupaca Elevator Dealer: