



## Safety First!

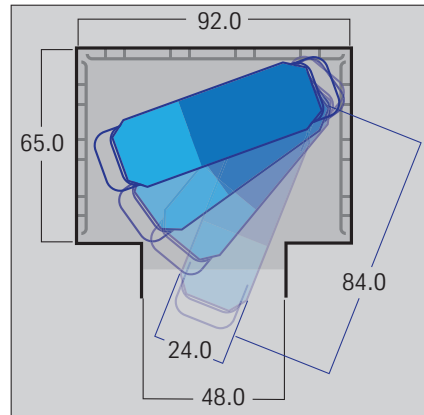
At ThyssenKrupp Elevator, providing code-compliant products is a priority!

The International Building Code (IBC) is written to ensure building safety and fire prevention. And, elevator construction is an integral part of this code. To assure passengers of a safe and efficient exit in the event of a medical emergency, section 3002.4 of the 2009 IBC Code states that “where elevators in buildings four or more stories above, or four or more stories below grade plane, at least one elevator shall be provided for Fire Department emergency access to all floors”. According to the code, the elevator should accommodate an open stretcher in the horizontal position 24 inches by 84 inches with not less than 5-inch radius corners. In case of emergency these particular elevators need to be easily identifiable by the international symbol for emergency medical services.

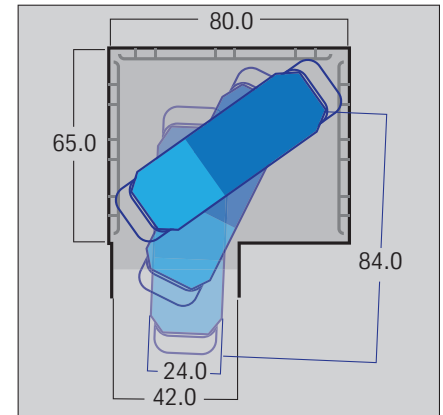
We have assessed the ambulance stretcher requirements and are in full compliance with the IBC guidelines. We offer standard configurations to meet the IBC 3002.4, both of which accommodate the 84-inch contemporary stretcher with 5-inch or 8-inch radius corners:

As always, ThyssenKrupp Elevator will remain on top of the latest safety standards and continue to provide code-compliant products to meet those needs.

4,000 lb. Capacity  
 Passenger Application  
 48 inch center open doors



3,500 lb. Capacity  
 Passenger Application  
 42 inch side slide doors



**ThyssenKrupp Elevator**  
 Americas Business Unit



**ThyssenKrupp**

**ThyssenKrupp Elevator** | P.O. Box 2177 | Memphis, TN 38101  
Tel: (877) 230-0303 (toll free) | [thyssenkruppelevator.com](http://thyssenkruppelevator.com) | version 10.09  
All illustrations and specifications are based on information in effect at time of publication approval.  
ThyssenKrupp Elevator reserves the right to change specifications or design and to discontinue items without prior notice or obligation. Copyright © 2009 ThyssenKrupp Elevator Corporation.

