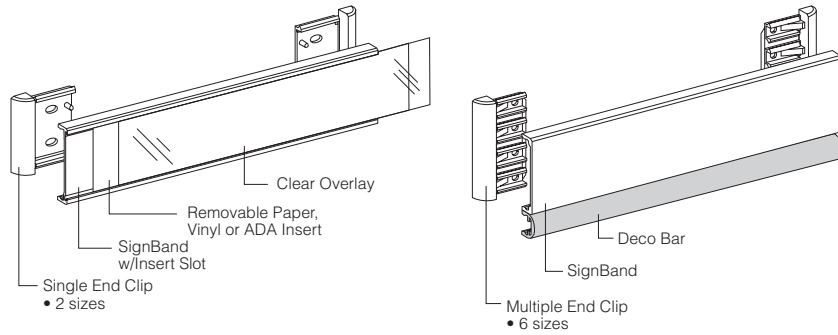


Accord 15 is a complete, modular system ideal for virtually any signage need, from simple personnel and identification signs, to complex directionals and directories.



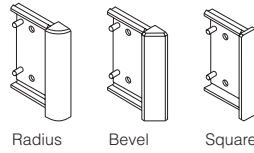
End Clip System

Features a wide range of extruded aluminum and molded plastic bands (inserts) and unique decorative elements which snap onto low profile (3/8"/9.5mm depth), integrally colored, injection molded End Clips. Ideal for personnel signs, directional modules, room identification, and ceiling and wall projection signs.

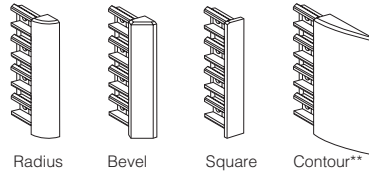


1 End Clips

Single Insert Clips (30 & 45mm)



Multiple Insert Clips* (60, 75, 90, 120, 150, & 210mm)



** 30mm and 45mm sizes for the Contour shape are available as Multiple Insert End Clips. 75mm NOT available in Contour shape

2 Inserts

(Snap onto End Clips)



SignBands

- 7 Standard Sizes
- Custom Sizes Possible
- Curved Face Option
- NEW! Injection Molded Color Bands and Clear Bands available.

SignBands w/Insert Slot

- 5 Standard Sizes
- Compatible with APCO SignWord paper inserts with laser printed copy or other changeable materials.



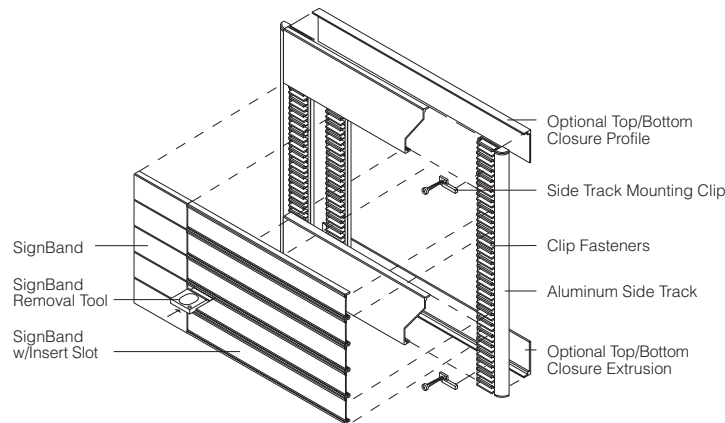
Decorative Elements

- 3 Options/Shapes

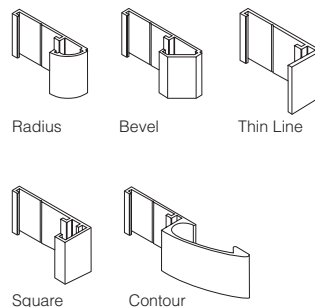


Side Track System

Features a wide range of aluminum and molded plastic bands which snap onto extruded aluminum Side Tracks via modular Clip fasteners, ensuring modularity and precise alignment of inserts. Ideal for room signs, directories, directional signs, poster holders, and more.

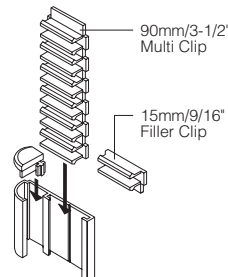


1 Aluminum Side Tracks



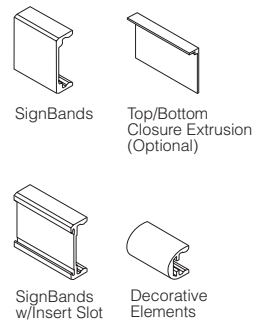
2 Clip Fasteners

(Lock into Side Track)



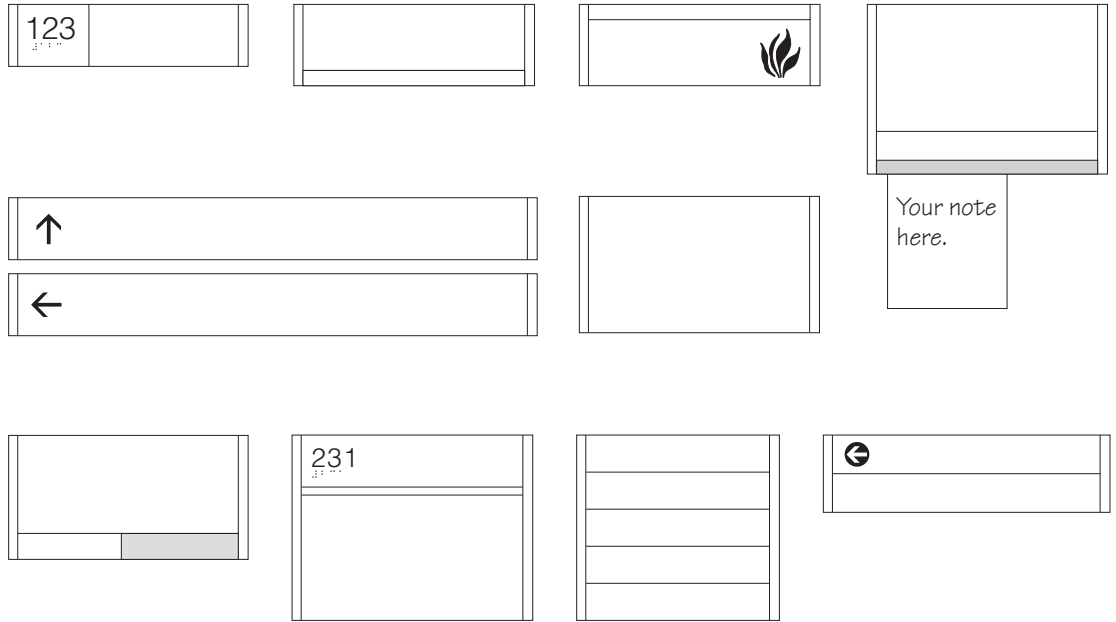
3 Inserts

(Snap onto Clips)



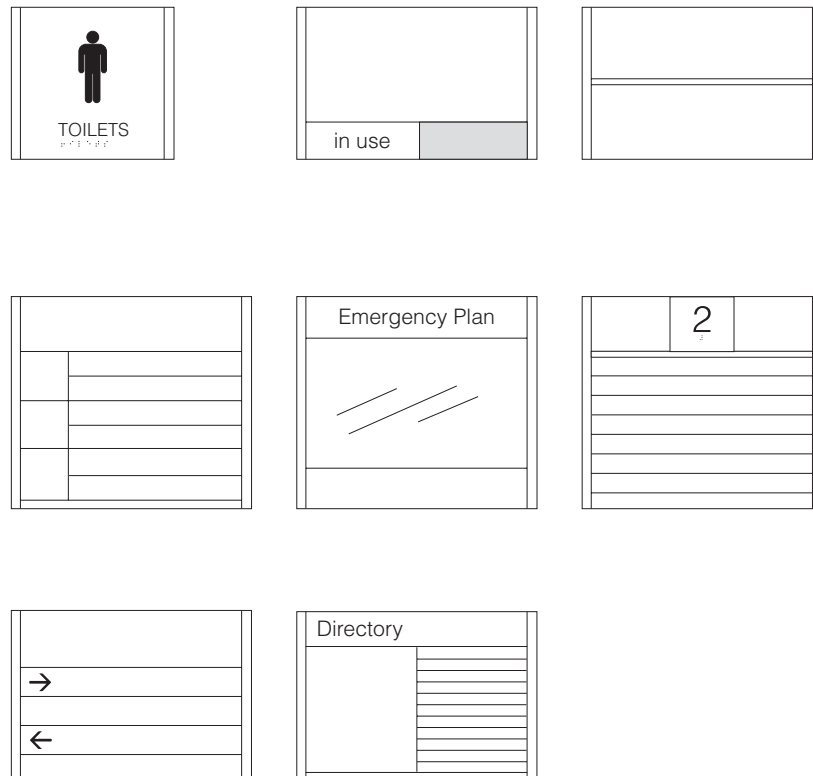
End Clip System - Applications

- Personnel Signs
- Information Signs
- Identification/Room Signs
- Conference Room Signs
- Directories
- Directionals



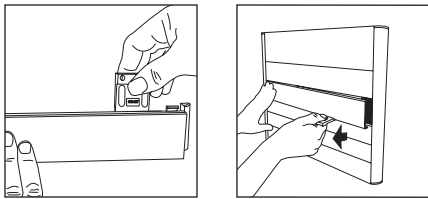
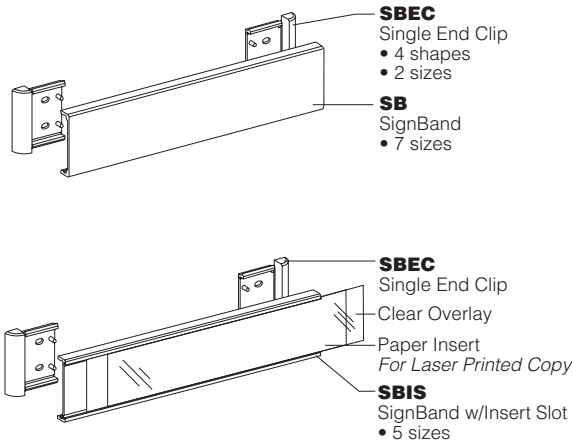
Side Track System - Applications

- Information Signs
- Identification/Room Signs
- Conference Room Signs
- Directories
- Directional Signs



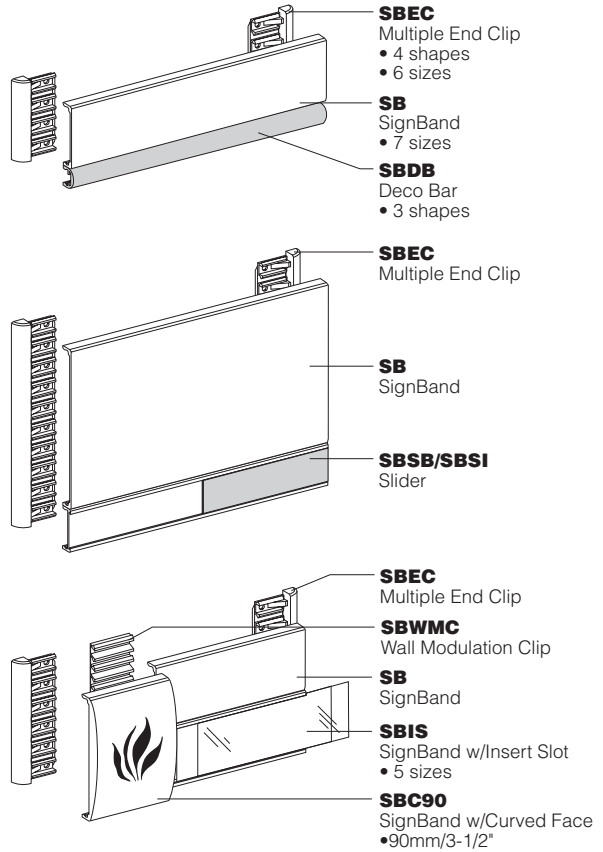
End Clip System

Single End Clips



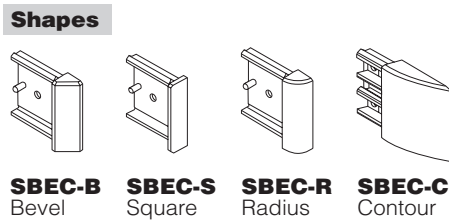
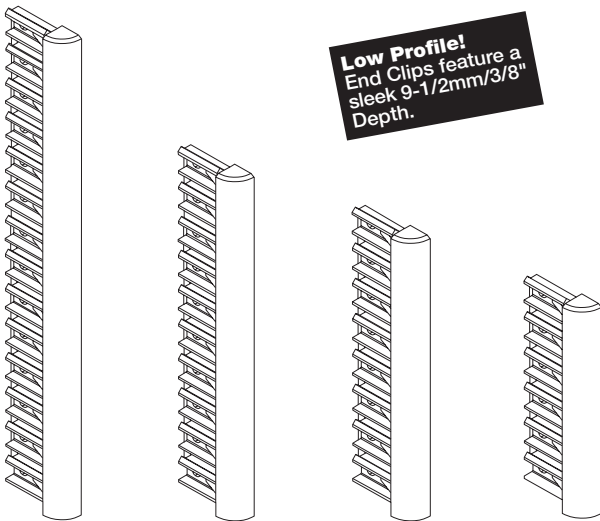
Insert Removal

Multiple End Clips



Worldwide Patents Pending.

Molded Plastic End Clips



Standard Colors

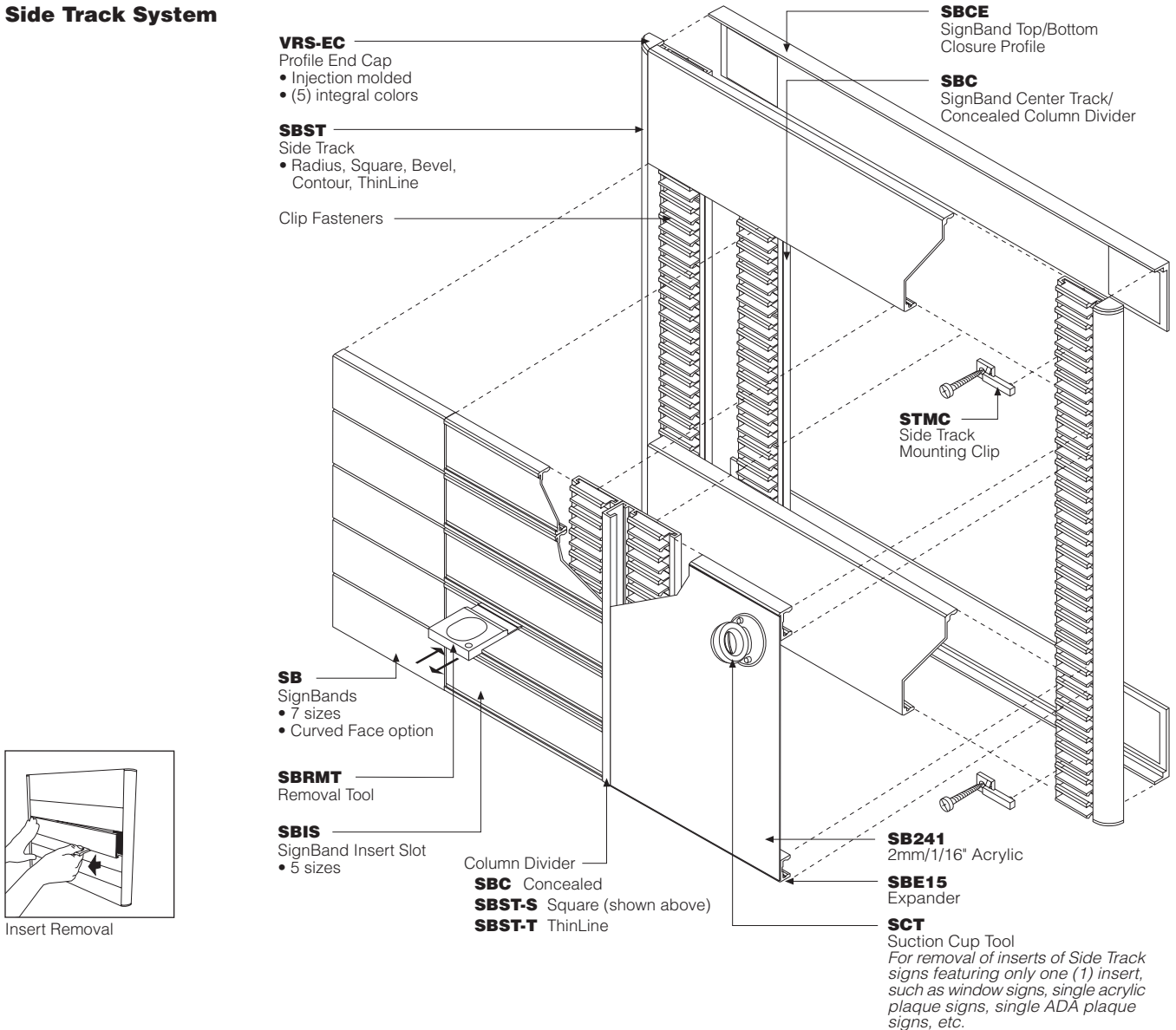
- Integral Colors*
A02 Black
A43 Putty*
A44 Architectural Brown*
A72 Bone White
A78 Pearl Grey
- Painted Colors*
(44) Standard
Custom Colors

- Translucent Colors*
(Contour Only)
T90 Ice Blue
T91 Frost Grey
T92 Mist Green
T93 Butterscotch

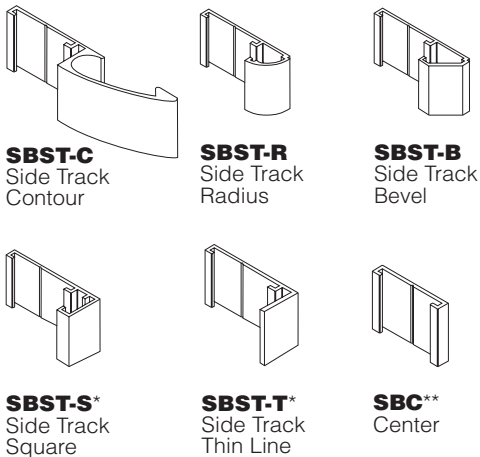
* Not available for Contour

- | | | | | | | | |
|--|--|--|--|--|--|--|--|
| SBEC210-R
Radius (Multiple)
210mm (8-1/4") | SBEC150-R
Radius (Multiple)
150mm (5-7/8") | SBEC120-R
Radius (Multiple)
120mm (4-3/4") | SBEC90-R
Radius (Multiple)
90mm (3-1/2") | SBEC75-R
Radius (Multiple)
75mm (3") | SBEC60-R
Radius (Multiple)
60mm (2-3/8") | SBEC45-R
Radius (Single)
45mm (1-3/4") | SBEC30-R
Radius (Single)
30mm (1-1/8") |
|--|--|--|--|--|--|--|--|

Side Track System



Aluminum Side Tracks



Standard Colors/Finishes

- A02 Black
- A43 Putty
- A44 Architectural Brown
- A72 Bone White
- A78 Pearl Grey

Painted (Polyurethane)
(44) Standard
Custom Colors

Anodized
Natural Satin

* May also be used as Dividers.

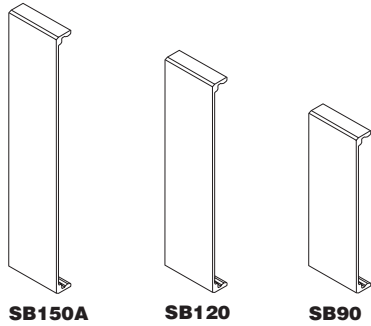
Metric Conversion
1" = 25.4 mm

Standard Heights

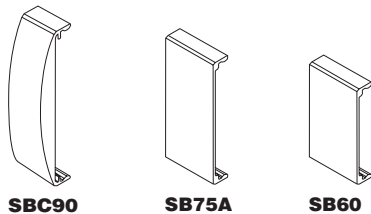
120mm (4-3/4") - 1005mm (39-1/2")

Important Note! Height Must Be in 15mm increments (Divisible by 15mm).
Inch Dimensions are Nominal Only.

SignBands



SB150A **SB120** **SB90**



SBC90 **SB75A** **SB60**



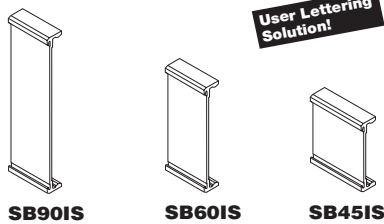
SB45 **SB30** **SB15**

Part Code	Overall Height	Display Height	Standard Band Widths
SB150A	150mm (5-7/8")	148mm (5-15/16")	105mm or 4"
SB120	120mm (4-3/4")	118mm (4-11/16")	150mm or 6"
SB90	90mm (3-1/2")	88mm (3-7/16")	210mm or 8"
SBC90	90mm (3-1/2")	50mm (2")	225mm or 9"
SBC75A	75mm (3")	72mm (2-13/16")	255mm or 10"
SB60	60mm (2-3/8")	58mm (2-15/16")	300mm or 12"
SB45	45mm (1-3/4")	43mm (1-11/16")	360mm or 14"
SB30	30mm (1-1/8")	28mm (1-1/16")	405mm or 16"
SB15	15mm (9/16")	13mm (1/2")	450mm or 18"
			510mm or 20"
			600mm or 24"
			750mm or 30"
			900mm or 36"

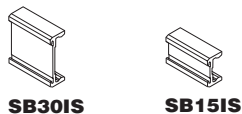
Standard Colors/Finishes
 (44) Standard Polyurethane Coated
 Natural Satin Anodized
 Custom Colors Available

Metric Conversion
1" = 25.4 mm

SignBand Insert Slots



SB90IS **SB60IS** **SB45IS**



SB30IS **SB15IS**

Part Code	Overall Height	Display Height	Standard Band Widths
SB90IS	90mm (3-1/2")	82mm (3-1/4")	105mm or 4"
SB60IS	60mm (2-3/8")	52mm (2-1/16")	150mm or 6"
SB45IS	45mm (1-3/4")	37mm (1-7/16")	210mm or 8"
SB30IS	30mm (1-1/8")	24mm (7/8")	225mm or 9"
SB15IS	15mm (9/16")	9mm (5/16")	255mm or 10"
			300mm or 12"
			360mm or 14"
			405mm or 16"
			450mm or 18"
			510mm or 20"
			600mm or 24"
			750mm or 30"
			900mm or 36"

Standard Colors/Finishes
 Powder Coated (44) Standard Polyurethane Coated
 A02 Black Custom Colors Available
 A43 Putty
 A44 Architectural Brown Natural Satin Anodized
 A72 Bone White
 A78 Pearl Grey

Insert Options



SWMS*
 SignWord Paper
 Inserts w/Laser
 Printed Copy &
 Protective Overlay



SB010
 10mil Lexan
 w/Subsurface
 Graphics



SB020
 20mil Polyester
 w/applied back-
 ground color and
 Surface Graphics

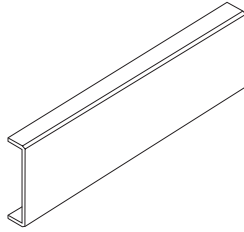


SBADA
 ADA Photo-polymer
 ADA Inserts

* Clear Protective Overlay is automatically included with factory produced and cut SignWord paper with Insert Slots unless otherwise specified.

ColorBand

Injection Molded Plastic



Part Code	Overall Height	Display Height	Width
SBP30-225	30mm (1-1/8")	28mm (1-1/16")	225mm (8-7/8")
SBP45-225	45mm (1-3/4")	43mm (1-11/16")	225mm (8-7/8")
SBP60-150	60mm (2-3/8")	58mm (2-15/16")	150mm (5-7/8")
SBP60-225	60mm (2-3/8")	58mm (2-15/16")	225mm (8-7/8")
SBP150-150	150mm (5-7/8")	147mm (5-3/4")	150mm (5-7/8")
SBP150-225	150mm (5-7/8")	147mm (5-3/4")	225mm (8-7/8")

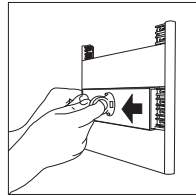
Standard Colors

Integral Colors

- A02 Black
- A43 Putty
- A44 Architectural Brown
- A72 Bone White
- A78 Pearl Grey

Painted Colors

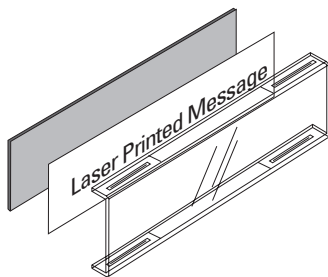
- (44) Standard
- Custom Colors



Insert Removal using
 APCO Suction Cup
 Tool (SCT)

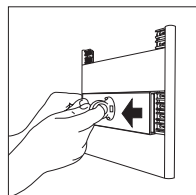
ClearBand

Injection Molded Plastic



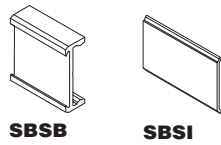
**User Lettering
 Solution**

Part Code	Overall Height	Display Height	Width
SBP30-225-CL	30mm (1-1/8")	24mm (7/8")	225mm (8-7/8")
SBP45-225-CL	45mm (1-3/4")	37mm (1-7/16")	225mm (8-7/8")
SBP60-150-CL	60mm (2-3/8")	52mm (2-1/16")	150mm (5-7/8")
SBP60-225-CL	60mm (2-3/8")	52mm (2-1/16")	225mm (8-7/8")
SBP150-150-CL	150mm (5-7/8")	147mm (5-3/4")	150mm (5-7/8")
SBP150-225-CL	150mm (5-7/8")	147mm (5-3/4")	225mm (8-7/8")



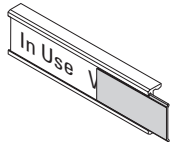
Insert Removal using
 APCO Suction Cup
 Tool (SCT)

Changeable Slide Options



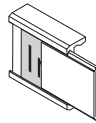
SBSB

SBSI



Part Code	Overall Height	Display Height
SBSB w/SBSI	30mm (1-1/8")	24mm (7/8")

Copy Options for SBSB



Standard
15mil vinyl inlay w/surface sprayed background and surface silkscreened copy

Standard Colors/Finishes

- A02 Black
- A43 Putty
- A44 Architectural Brown
- A72 Bone White
- A78 Pearl Grey

(44) Standard Polyurethane Coated
Custom Colors Available

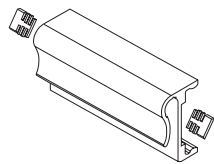
Natural Satin Anodized

Standard Widths

150mm or 6"
210mm or 8"
225mm or 9"
255mm or 10"
300mm or 12"

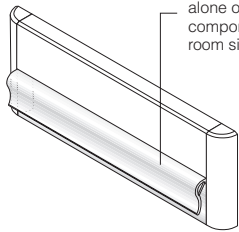
NOTE: SBSI is half the width of the SBSB standard width shown.

SignBand Notifier Message Strip

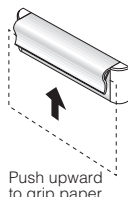


Note up to 1/64" (.397mm) thick

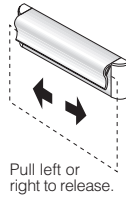
SignBand Notifier can be used alone or incorporated as a component of personnel signs, room signs, directories, etc.



Part Code	Total Height
SB30N	30mm (1-1/8")



Push upward to grip paper.



Pull left or right to release.

Standard Colors/Finishes

- A02 Black
- A43 Putty
- A44 Architectural Brown
- A72 Bone White
- A78 Pearl Grey

(44) Standard Polyurethane Coated
Custom Colors Available

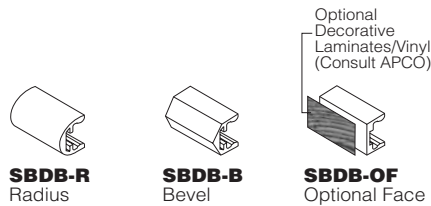
Natural Satin Anodized

Standard Widths

(105mm) or 4"
(150mm) or 6"
(210mm) or 8"
(225mm) or 9"
(255mm) or 10"
(300mm) or 12"
(360mm) or 14"
(405mm) or 16"
(450mm) or 18"
(510mm) or 20"
(600mm) or 24"

* Notifier ends will be natural aluminum when powder coated finishes are selected.

Decorative Elements

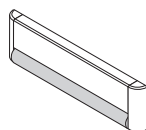
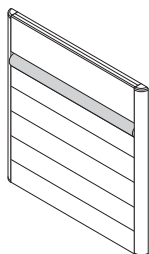


SBDB-R
Radius

SBDB-B
Bevel

SBDB-OF
Optional Face

Optional Decorative Laminates/Vinyl (Consult APCO)



Part Code	Total Height
SBDB-R	15mm (9/16")
SBDB-B	15mm (9/16")
SBDB-OF	15mm (9/16")

Standard Colors/Finishes

- A02 Black
- A43 Putty
- A44 Architectural Brown
- A72 Bone White
- A78 Pearl Grey

(44) Standard Polyurethane Coated
Custom Colors Available

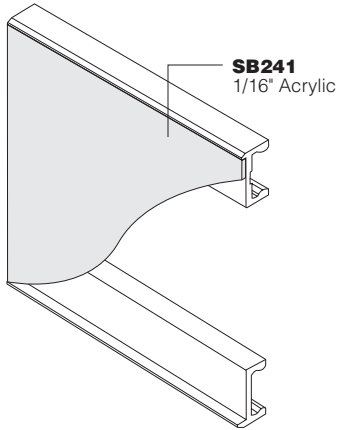
Natural Satin Anodized

Standard Widths

105mm or 4"
150mm or 6"
210mm or 8"
225mm or 9"
255mm or 10"
300mm or 12"
360mm or 14"
405mm or 16"
450mm or 18"
510mm or 20"
600mm or 24"
750mm or 30"
900mm or 36"

Metric Conversion
1" = 25.4 mm

Acrylic Plaque Inserts

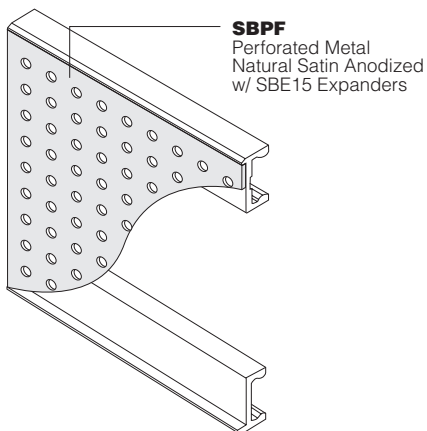


SB241 Height
180mm (7-1/16")
195mm (7-3/4")
210mm (8-1/4")
225mm (8-7/8")
255mm (10")
300mm (11-3/4")
360mm (14")
405mm (16")

Standard Widths
150mm or 6"
210mm or 8"
225mm or 9"
255mm or 10"
300mm or 12"
360mm or 14"
405mm or 16"
450mm or 18"
510mm or 20"
600mm or 24"
750mm or 30"
900mm or 36"

Note: Consult APCO for custom sizes

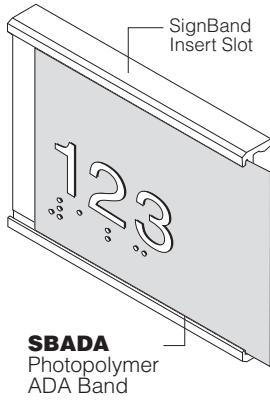
Decorative Perforated Metal Inserts



SB241 Height
45mm (1-3/4")
60mm (2-3/8")
90mm (7-1/16")
120mm (4-3/4")
150mm (5-7/8")
180mm (7-1/6")
195mm (7-3/4")
210mm (8-1/4")
225mm (8-7/8")
255mm (10")
300mm (11-3/4")
405mm (16")

Standard Widths
150mm or 6"
210mm or 8"
225mm or 9"
255mm or 10"
300mm or 12"
360mm or 14"
405mm or 16"
450mm or 18"
510mm or 20"
600mm or 24"
750mm or 30"
900mm or 36"

Photopolymer ADA Bands for SignBand Insert Slots



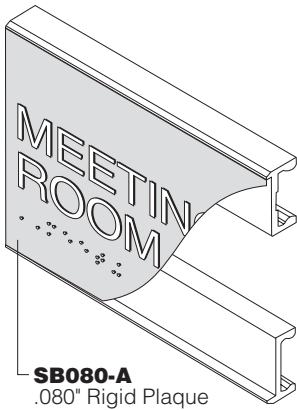
SBADA Height

45mm (1-3/4")
60mm (2-3/8")
90mm (3-1/2")

Standard Widths

45mm or 2"
105mm or 4"
150mm or 6"
210mm or 8"
225mm or 9"
255mm or 10"
300mm or 12"

Rigid ADA Plaques



SB080-A Height

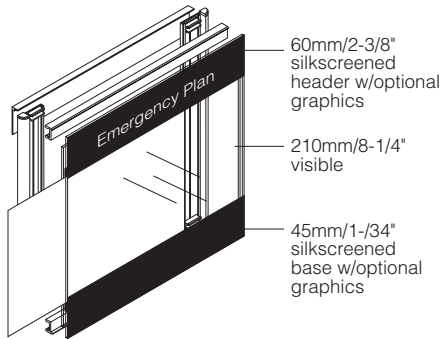
60mm (2-3/8")
90mm (3-1/2")
120mm (4-3/4")
150mm (5-7/8")
180mm (7-1/16")
195mm (7-3/4")
210mm (8-1/4")
225mm (8-7/8")
255mm (10")
300mm (11-3/4")

Standard Widths

150mm or 6"
210mm or 8"
225mm or 9"
255mm or 10"
300mm or 12"
360mm or 14"

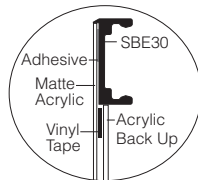
Emergency Plan

(Landscape Configuration Window Sign)



Poster Size
HxW
8-1/2" x 11"
(216mm x 279mm)

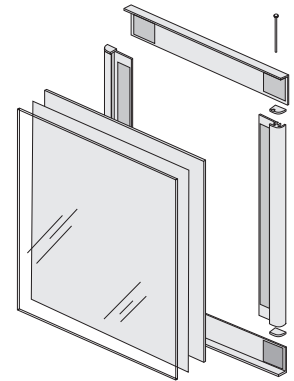
Inside Dimensions
(Not including Side Track profile)
315mm x 280mm
12-1/4" x 11"



STEP8511
315mm x 280mm
12-1/4" x 11"

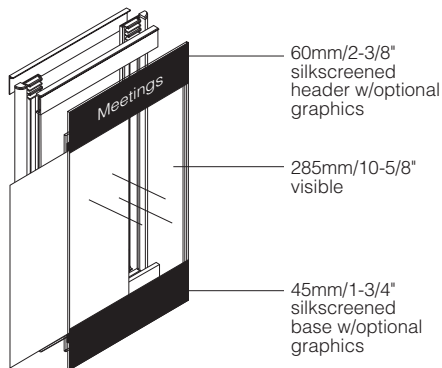
Window Sign Solution!

For a wide range of aesthetically compatible and low-profile window sign solutions, see the award-winning **FullView** in **Section 4.3**.



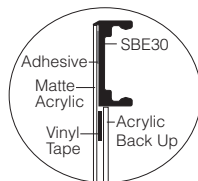
Poster Holder

(Portrait Configuration Window Sign)



Poster Size
HxW
11" x 8-1/2"
(279mm x 216mm)

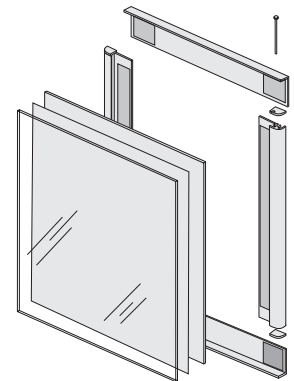
Inside Dimensions
(Not including Side Track profile)
375mm x 216mm
12-1/2" x 8-1/2"



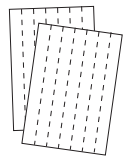
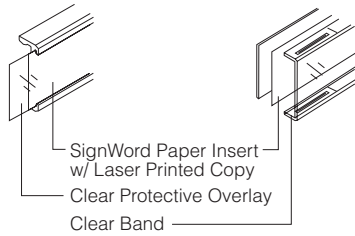
STPH1185
375mm x 216mm
12-1/2" x 8-1/2"

Window Sign Solution!

For a wide range of aesthetically compatible and low-profile window sign solutions, see the award-winning **FullView** in **Section 4.3**.



SignWord Paper Inserts



SignWord[®] Paper Colors

- A72 Bone White / A00 White (on reverse)
- A43 Putty / A94 Sand (on reverse)
- A47 Light Grey
- A78 Pearl Grey

Custom colors available. Consult APCO



SWPRO
SignWord[®] Pro Software



Minimum System Requirements

- PC running Windows[®] 3.x/95/98/NT
- 16 MB RAM
- 5 MB free disk space
- Laser or Inkjet printer

Code	Description	Stock Length*	Yield**
SWMS15	For 15mm Insert Slot	11" (280mm)	600/pack of 50 sheets
SWMS30	For 30mm Insert Slot & Clear Band	14" (355mm)	400/pack of 50 sheets
SWMS45	For 45mm Insert Slot & Clear Band	14" (355mm)	250/pack of 50 sheets
SWMS60	For 60mm Insert Slot & Clear Band	14" (355mm)	150/pack of 50 sheets
SWMS90	For 90mm Insert Slot	14" (355mm)	150/pack of 50 sheets
SWMS150	For 150mm Clear Band	11" (280mm)	50/pack of 50 sheets
SWS8511	Paper Inserts for ST11-EP8511 & ST85-PH1185 (pg 4.2.110)	8.5" x 11" (216mm x 279mm)	50/pack of 50 sheets

* This is the maximum length/width. Paper inserts may be cut to smaller standard widths as specified.
 ** SignWord Paper Inserts and Clear Overlay are also available cut-to-size and printed by APCO. Clear Overlay is included with every factory produced and cut SignWord paper for Insert Slot unless otherwise specified.
 *** See pages 4.2.105-106 for full range of SignBand Insert Slots and Clear Bands which are compatible with these SignWord paper inserts.

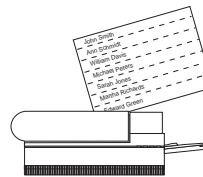
3 Easy Steps

1 Create



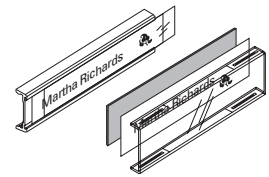
With SignWord Pro Software, enter your message and symbols using preestablished formats or your own custom layouts.

2 Print



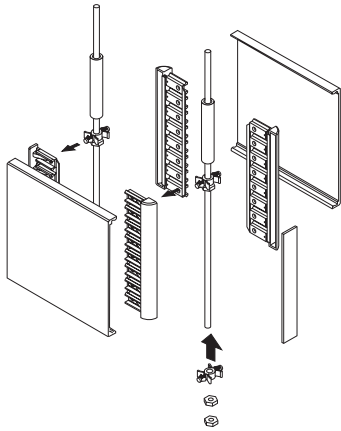
Print the image on a special paper that is perforated and colored to match the sign holder.

3 Insert

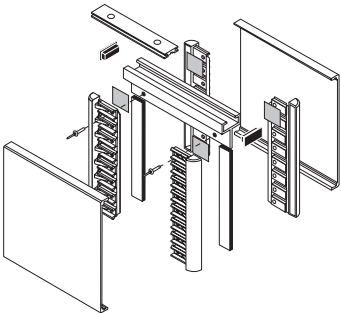


Punch out the sign insert and place it in the Insert Slot or Clear Band and PRESTO - in less than 60 seconds a complete sign!

Ceiling Signs

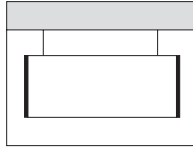


SBEC-SCM*
Suspended Ceiling Signs Featuring Injection Molded End Clips and the Injection Molded Link (SBLK)

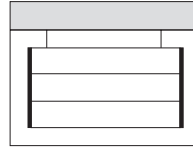


SBEC-FCM*
Flush Mount Ceiling Signs Featuring Injection Molded End Clips, Plastic Ceiling Mount Track and Aluminum Ceiling Attachment Extrusion (CMA)

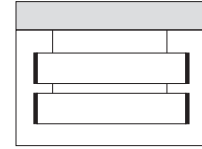
Suspended Ceiling Sign Configurations



SBEC-SCM11
Single Sign Band,
Single Pair End Clips

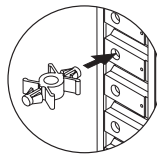


SBEC-SCM21
Multiple Sign Bands,
Single Pair End Clips



SBEC-SCM22
Multiple Sign Bands,
Multiple Pairs End Clips

Consult APCO for more details concerning sizes, configurations, etc.

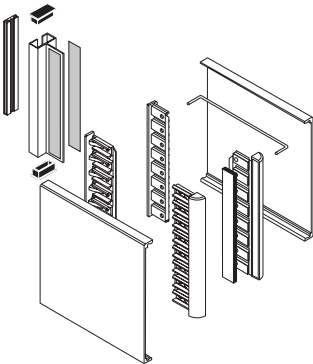


Links End Clips horizontally for ceiling attachment.

Ceiling Sign Solution!

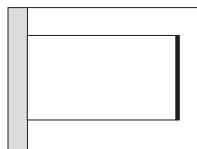
For a wide range of aesthetically compatible and low-profile ceiling sign solutions, see the award-winning **FullView** in **Section 4.3**.

Projection Wall Signs

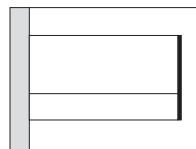


SBEC-PM*
Projection Wall Signs Featuring Injection Molded End Clips, Plastic Mounting Track (CMT) and Aluminum Attachment Extrusion (CMA)

Projection Wall Configurations Featuring End Clips



SBEC-PM1
Single Sign Band



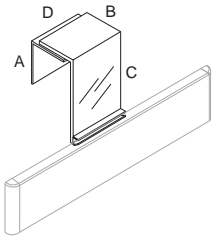
SBEC-PM2
Multiple Sign Bands

Maximum height: 210mm
Maximum width: 225mm

Projection Wall Sign Solution!

For a wide range of aesthetically compatible and low-profile projection wall sign solutions, see the award-winning **FullView** in **Section 4.3**.

Standard Plastic Panel Clip



Code	Angle	Minimum Dimension	Maximum Dimension
SBPC	A	1-1/2"	1-1/2"
	B	1-1/8"	2-1/4"
	C	2"	2"
	D	3-5/8"	3-5/8"

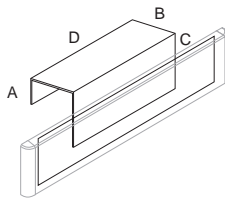
Compatible End Clip Heights: All to 210mm

SBPC

Panel Clip

A clear, plastic clip snaps onto return of SignBand. Width (B) adjustable by attaching two separate legs with clear double-sided tape.

Custom Aluminum Panel Clips



Code	Angle	Minimum Dimension	Maximum Dimension
SBPCA-AB	A	1/2"	1"
	B	1"	3"
	C	0"	3"
	D	2"	4"

Compatible End Clip Heights: All to 210mm

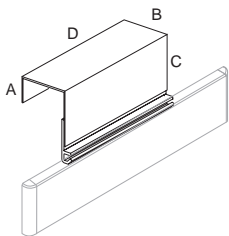
SBPCA-AB

Aluminum Clip / Aluminum Backer

An EndClip sign is attached to an aluminum backplate via double-sided tape. A custom-formed aluminum panel clip is then adhered to the back of the sign assembly via double-sided tape.

Standard Colors/Finishes

Natural Satin Anodized
Painted
- 44+ Standard
- Custom



Code	Angle	Minimum Dimension	Maximum Dimension
SBPCA-SN	A	1/2"	1"
	B	1"	3"
	C	0"	3"
	D	2"	4"

Compatible End Clip Heights: All to 210mm

SBPCA-SN

Aluminum Clip / Snap Fit to SignBand

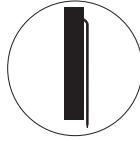
The "snap" portion of a standard SBPC Panel Clip is attached to the bottom face of a custom-formed aluminum panel clip. That assembly is then attached/snapped to upper or lower return of a SignBand or InsertSlot.

Standard Colors/Finishes

Natural Satin Anodized
Painted
- 44+ Standard
- Custom

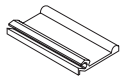


**PIN
PIN-U**
PinLock Fasteners



For Fabric Surfaces

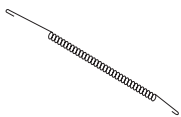
Note: A new, improved Dual Pin (PIN-U) is available for the majority of fabric attachment situations, providing a sturdy, quality mounting solution. Consult APCO for details.



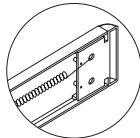
SBDSE
Desk Sign Extrusion
(Black Plastic)



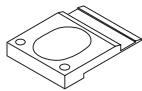
For 30mm or 45mm Desk Signs.



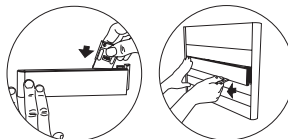
SB ECS
End Clip
Support Spring



For Desk Sign & Office Partition/Panel Clip signs. Consult APCO to see if spring is recommended for your application.

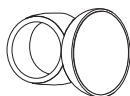


SBRMT
SignBand
Removal Tool

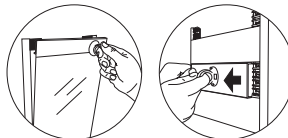


For removal of SignBands & SignBand Insert Slots.

Important Note: Please consult APCO or visit the APCO website for detailed instructions for proper removal and replacement of Accord inserts. If proper procedure is not followed correctly, damage to sign may occur.



SCT
Standard Suction
Cup Tool

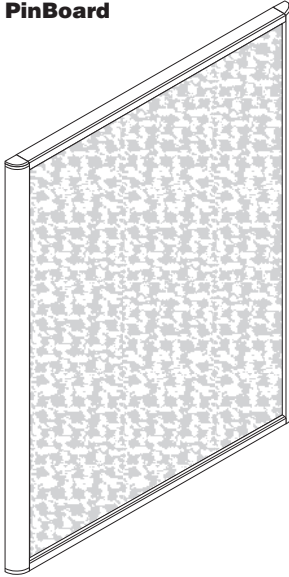


For insert removal of single insert SideTrack signs, Poster Holder/EP/Window Sign inserts and Accord 15 Express Color Band and Clear Bands.

Product Instructions

(Consult APCO or visit the APCO website @ www.apcosigns.com)

PinBoard



Code	Size (height x width)
APB1212	12" x 12"
APB1218	12" x 18"
APB1812	18" x 12"
APB1824	18" x 24"
APB2436	24" x 36"

Standard Fabric Colors

- 214 Peppermill
- 179 Mintless
- 218 Gunmetal
- 240 Mercury
- 194 Sulphur Grey

Standard Frame Colors/Finishes

- Natural Satin Anodized
- Coated
 - A72 Bone White
 - A02 Black
 - A44 Architectural Brown
 - A43 Putty

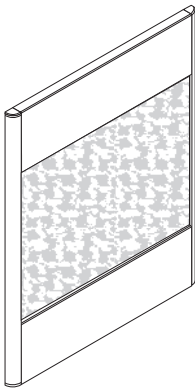
Profile Shapes

- Radius
- Square
- Bevel

APB

A refreshing departure from the traditional fabric bulletin board look, the Accord Pin Board offers a range of five sizes and five textured fabrics. The low-profile (5/8" depth) vertical frame is available in three shapes and four standard coated finishes, as well as Natural Satin Anodized. All mounting fasteners are concealed. Custom fabrics, sizes and colors are available for volume orders with APCO Engineering Department approval.

Mini PinBoard



Code	Size (height x width)
AMPB120-225	120mm (4-3/4") x 225mm (8-7/8")
AMPB150-225	150mm (5-7/8") x 225mm (8-7/8")
AMPB210-225	210mm (8-1/4") x 225mm (8-7/8")
AMPB300-225	300mm (11-3/4") x 225mm (8-7/8")

Standard Frame Colors/Finishes

- Natural Satin Anodized
- Coated
 - A72 Bone White
 - A02 Black
 - A44 Architectural Brown
 - A43 Putty

Standard Fabric Colors

- 214 Peppermill
- 179 Mintless
- 218 Gunmetal
- 240 Mercury
- 194 Sulphur Grey

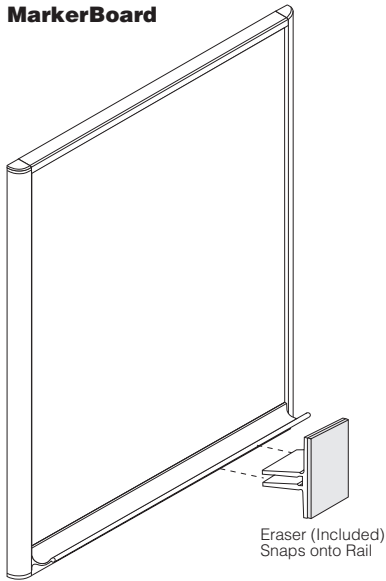
Profile Shapes

- Radius
- Square
- Bevel

AMPB

The Accord Mini PinBoard is used within Accord Side Track assemblies with 225mm widths. MUST include both a Header and Base insert band.

MarkerBoard



Code	Size (height x width)
AMB1212	12" x 12"
AMPB1218	12" x 18"
AMB1812	18" x 12"
AMB1824	18" x 24"
AMB2436	24" x 36"

Standard Frame Colors/Finishes

Natural Satin Anodized
Coated
A72 Bone White
A02 Black
A44 Architectural Brown
A43 Putty

Standard MarkerRail Finish

Natural Satin Anodized

MarkerBoard Finish

White

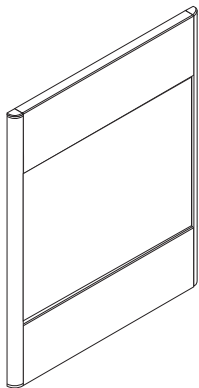
Profile Shapes

Radius
Square
Bevel

AMB

The Accord 15 MarkerBoard consists of a white dry-erase board laminated or adhered to a sturdy backer. The writing surface is durable and stain-resistant. All mounting fasteners are concealed. A full length Marker Rail is included for storing markers and the clip-on eraser.

Mini MarkerBoard



Code	Size (height x width)
AMMB120-225	120mm (4-3/4") x 225mm (8-7/8")
AMMB150-225	150mm (5-7/8") x 225mm (8-7/8")
AMMB210-225	210mm (8-1/4") x 225mm (8-7/8")
AMMB300-225	300mm (11-3/4") x 225mm (8-7/8")

Standard Frame Colors/Finishes

Natural Satin Anodized
Coated
A72 Bone White
A02 Black
A44 Architectural Brown
A43 Putty

Standard MarkerRail Finish

Natural Satin Anodized

MarkerBoard Finish

White

Profile Shapes

Radius
Square
Bevel

AMMB

The Mini MarkerBoard is used within Accord 15 assemblies with 225mm widths and, in most cases, must include a Header and Base insert band. For sizes up to and including 150mm in height, the Mini can stand alone. The Marker Rail is optional and may be affixed to either the base insert or to the board itself.

Custom applications and configurations are also available. Consult APCO.