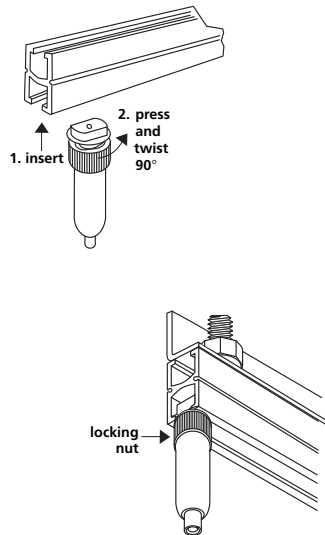
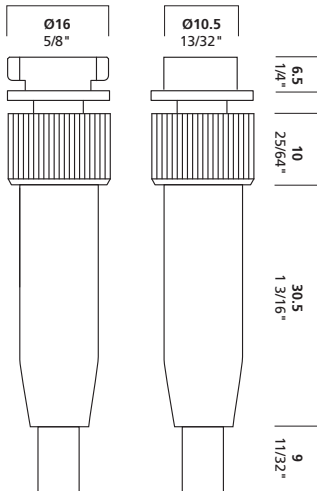


# MS1BJ



## °MS1BJ

The rail clips for the MH Rail are divided into two main categories: fixed and rolling. Within those categories, clips offer specific technical and esthetic features, providing flexibility within the same rail system. Use MS1BJ with soldered cable.



## ° Product Information

### cable size

1/16" - 3/32" 1.5 - 2.5 mm

### maximum weight

1/16": 65 lbs. 30 kg  
3/32": 155 lbs. 70 kg

### function

fixed rail clip

### other rail clips for MH Rail

MJ1BJ, MHFB, MJ1C, MHFS

### installation instructions

To install any type of the fixed clips, align properly, insert in rail, press and twist 90°, then tighten locking nut.

To move Arakawa rail clips along rails, loosen locking nut, and slide clip in rail. Tighten nut.

2-3

## Arakawa Hanging Systems

2505 SE 11th Avenue, Suite 122  
Portland, Oregon 97202  
phone: 503.236.0440  
fax: 503.236.0427  
toll free: 888.272.5292

[www.arakawagrip.com](http://www.arakawagrip.com)

Copyright © 2008 Arakawa & Co., Ltd. All rights reserved.  
Arakawa products are covered by U.S. and foreign patents, issued and pending. Specification and price change privileges reserved.

