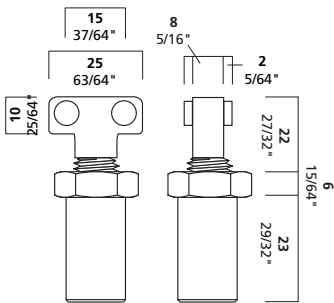


MJBC



°MJBC

The MJBC is Arakawa's top rail connector available for hanging cable perpendicular to the MH rail system. This clip attaches by sliding it in from the end. Use with ball stop cable.



° Product Information

cable size

1/16" 1.5 mm

3/32" 2.5 mm

1/8" 3.0 mm

maximum weight

1/16": 65 lbs. 30 kg

3/32": 155 lbs. 70 kg

1/8": 220 lbs. 100 kg

function

rolling rail clip for MH rail

installation instructions

Slide MJBC in from end of track. Insert ball stop cable into the barrel fitting of the MJBC.

2-4

Arakawa Hanging Systems

2505 SE 11th Avenue, Suite 122

Portland, Oregon 97202

phone: 503.236.0440

fax: 503.236.0427

toll free: 888.272.5292

www.arakawagrip.com



Copyright © 2008 Arakawa & Co., Ltd. All rights reserved. Arakawa products are covered by U.S. and foreign patents, issued and pending. Specification and price change privileges reserved.