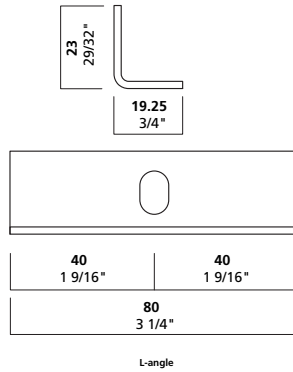


MH1LBSET



°MH1LBSET

MH1LBSET includes (1) 'L' bracket with (2) 5/16" x 1/2" bolts and nuts to wall-mount the MH rail.

° Product Information

cable size

1/16" 1.5 mm
3/32" 2.5 mm

maximum weight

1/16": 65 lbs. 30 kg
3/32": 155 lbs. 70 kg

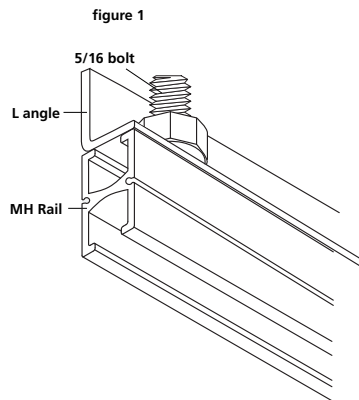
function

mounting hardware for wall-mount
MH rail

installation instructions

Slide the head of the 5/16" hex bolts into the track. Install L bracket onto hex bolts and secure with nuts. Attach L bracket to wall with 3/8" hardware. Chose appropriate hardware for the structure and loads.

2-3



Arakawa Hanging Systems

2505 SE 11th Avenue, Suite 122
Portland, Oregon 97202
phone: 503.236.0440
fax: 503.236.0427
toll free: 888.272.5292

www.arakawagrip.com



Copyright © 2007 Arakawa & Co., Ltd. All rights reserved.
Arakawa products are covered by U.S. and foreign patents, issued and pending. Specification and price change privileges reserved.