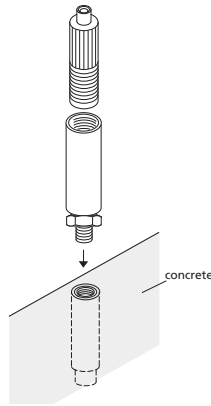
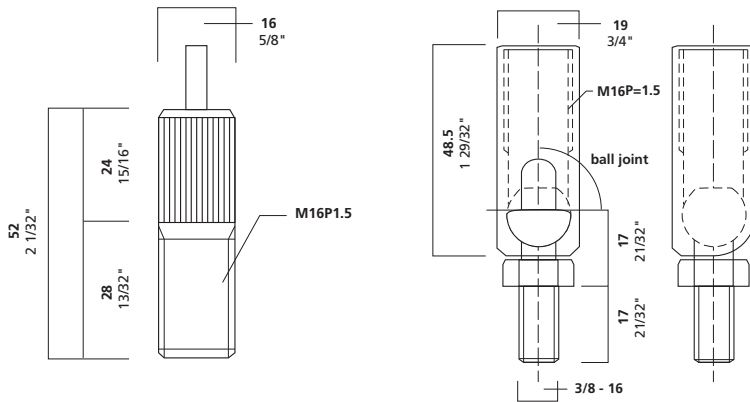


SF23DSET



°SF23DSET

SF23 is a floor tensioner that also works well as a turnbuckle for balustrades. Use it to tension cables to minimize the movement of displays.



° Product Information

cable size

1/16" 1.5 mm

3/32" 2.5 mm

maximum weight

1/16": 65 lbs. 30 kg

3/32": 155 lbs. 70 kg

function

tensioner: floor

SF23DSET: universal joint

installation instructions

Attach socket base to 3/8-16 concrete anchor, or bolt through framework.

Adjust cable at ceiling connector so cable is 2 inches from floor. Insert tensioner into socket two turns.

Insert cable into tensioner, turn down by HAND.

2-3

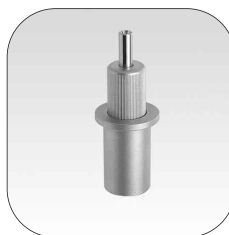
° Companion Products, please see their individual information sheets.



°SF23ASET



°SF23BSET



°SF23CSET

Arakawa Hanging Systems

2505 SE 11th Avenue, Suite 122

Portland, Oregon 97202

phone: 503.236.0440

fax: 503.236.0427

toll free: 888.272.5292

www.arakawagrip.com



Copyright © 2007 Arakawa & Co., Ltd. All rights reserved. Arakawa products are covered by U.S. and foreign patents, issued and pending. Specification and price change privileges reserved.