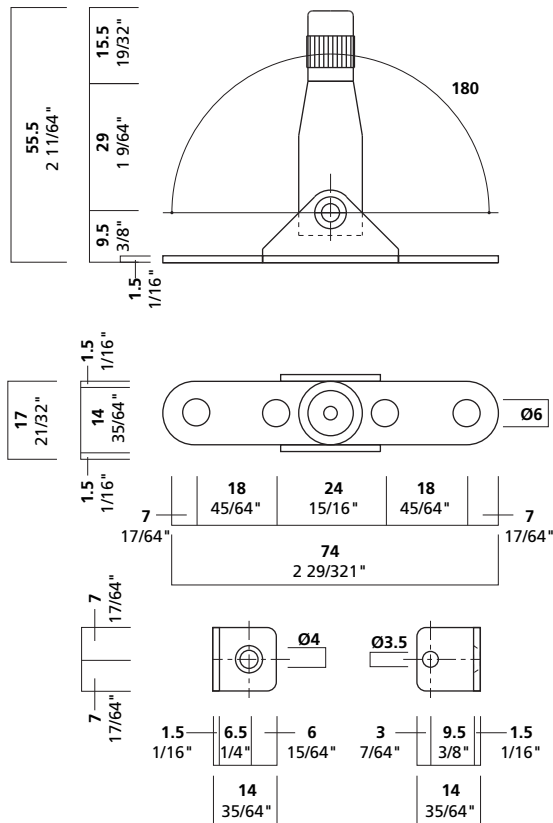


MF30S



MF30S

MF30S was designed for use either on sloped surfaces, or (with the accompanying "L" bracket) on the sides of suspended panels. The Gripper swivels on the base a full 180 degrees, allowing for angled or even mobile designs.



Product Information

cable size

1/8" 3.0 mm

maximum weight

220 lbs. 100 kg

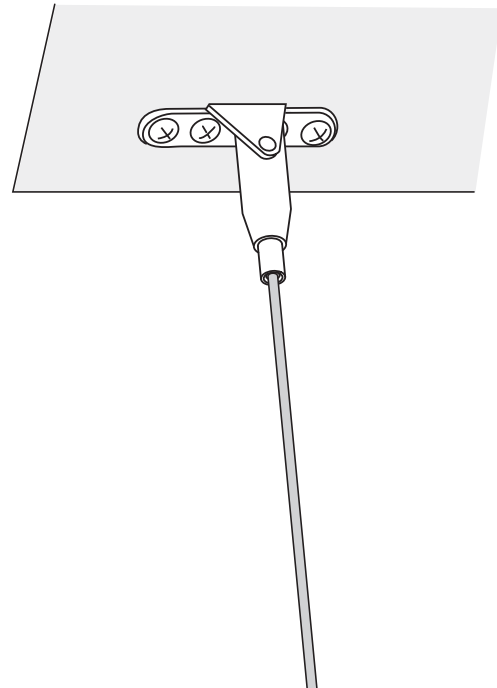
function

ceiling: where movement is required, or sloped ceilings

installation instructions

Drive #12 screws into substrate in order to fasten. Make sure screws and substrate are strong enough to hold your suspended article.

4



Arakawa Hanging Systems

2505 SE 11th Avenue, Suite 122

Portland, Oregon 97202

phone: 503.236.0440

fax: 503.236.0427

toll free: 888.272.5292

www.arakawagrip.com

Copyright © 2007 Arakawa & Co., Ltd. All rights reserved. Arakawa products are covered by U.S. and foreign patents, issued and pending. Specification and price change privileges reserved.

