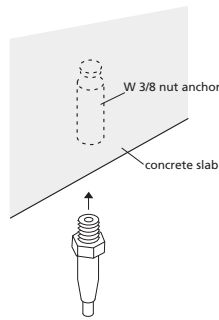
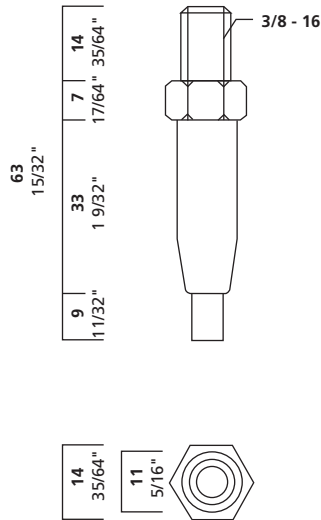


SF38SET



°SF38SET

SF38 incorporate the familiar bullet shaped body with a 3/8-16 male thread, permitting installations into concrete ceilings (using a 3/8-16 threaded nut, anchor or other feature). Also available with Safety cap to prevent unintentional movement (SF38S)..



° Product Information

cable size

1/16" 1.5 mm
3/32" 2.5 mm

maximum weight

1/16": 65 lbs. 30 kg
3/32": 155 lbs. 70 kg

function

ceiling: 3/8-16 anchor
midway

installation instructions

Screw SF38 into 3/8-16 nut anchor (not provided).

2-3

Arakawa Hanging Systems

2505 SE 11th Avenue, Suite 122
Portland, Oregon 97202
phone: 503.236.0440
fax: 503.236.0427
toll free: 888.272.5292

www.arakawagrip.com

Copyright © 2007 Arakawa & Co., Ltd. All rights reserved.
Arakawa products are covered by U.S. and foreign patents, issued and pending. Specification and price change privileges reserved.

