

FMB-Type



°FMB1

The FMB-type rotating in-line Gripper is a versatile holder for shelves and hang rods. The 360 degree rotation allows the same hardware to be used for either horizontal or angled shelves, or vertical panels, or hang rods. The in-line function allows the Gripper (and any attached hardware) to be installed on or removed from a tensioned cable.



°FMB2

◦ **Product Information**

cable size

1/16" 1.5 mm

2

maximum weight

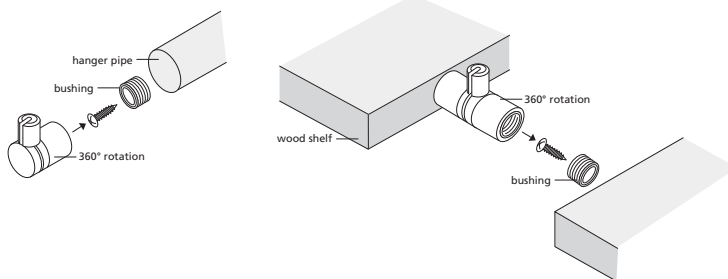
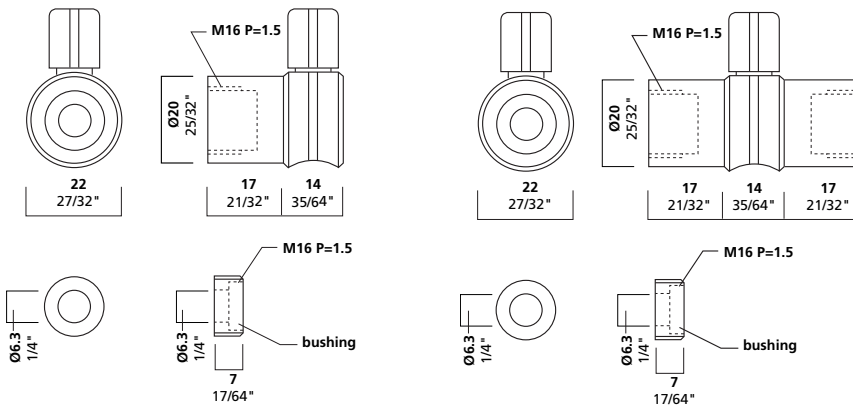
1/16": 65 lbs. 30 kg

function

midway: horizontal, angled, or vertical
wood shelf, hang rod

installation instructions

Remove bushing from FMB. Attach bushing to hanger pipe with screw as shown (screw not included). Thread bushing back on to FMB, then attach FMB to suspended cable.



Arakawa Hanging Systems

2505 SE 11th Avenue, Suite 122
Portland, Oregon 97202
phone: 503.236.0440
fax: 503.236.0427
toll free: 888.272.5292

www.arakawagrip.com

