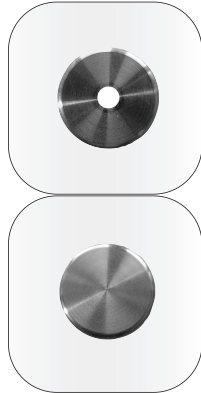


## C2RPS/ C2RPSTH



Through Hole

Solid Cap

### °C2RPS/ C2RPSTH

Use as a puck connector for horizontal panel displays or shelving. The C2RPS provides a clean stainless steel finish on the underside of material. Cable passes completely through the C2RPSTH and allows stacking of shelves and panels. Will hold materials up to 1" thickness. Includes a safety cap to prevent unintentional movement.

**Not for glass installations.**

### ° Product Information

#### cable size

1/16" 1.5 mm  
3/32" 2.5 mm

#### maximum weight

1/16": 65 lbs. 30 kg  
3/32": 155 lbs. 70 kg

#### function

midway: puck for shelves, horizontal panels

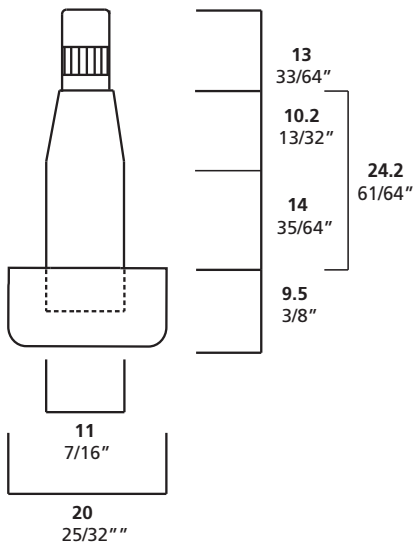
#### installation instructions

Midway: As shelf support, drill 1/2" Ø hole in shelf or panel material. Will support up to 1" thickness.

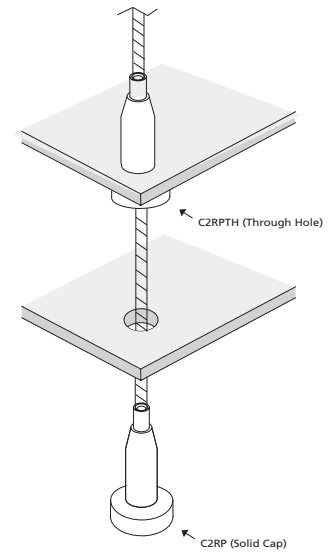
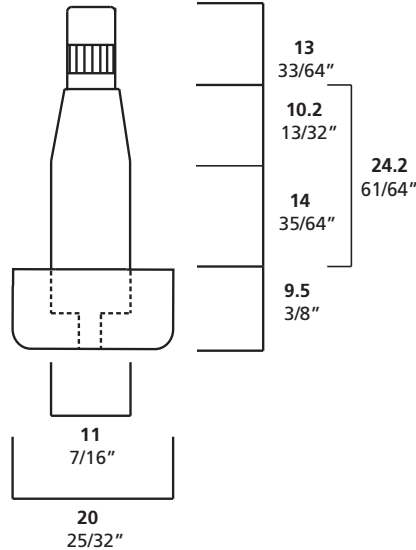
**\* Not for glass installations.**

2-3

### C2RPS



### C2RPSTH



### Arakawa Hanging Systems

2505 SE 11th Avenue, Suite 122  
Portland, Oregon 97202  
phone: 503.236.0440  
fax: 503.236.0427  
toll free: 888.272.5292

[www.arakawagrip.com](http://www.arakawagrip.com)



Copyright © 2009 Arakawa & Co., Ltd. All rights reserved.  
Arakawa products are covered by U.S. and foreign patents, issued and pending. Specification and price change privileges reserved.