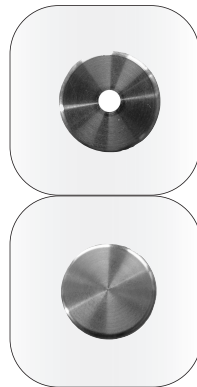


C2RP/ C2RPTH



Through Hole

Solid Cap

°C2RP/ C2RPTH

Use as a puck connector for horizontal panel displays or shelving. The C2RP provides a clean stainless steel finish on the underside of material. Cable passes completely through the C2RPTH and allows stacking of shelves and panels. Will hold materials up to 1" thickness.

Not for glass installations.

° Product Information

cable size

1/16" 1.5 mm
3/32" 2.5 mm

maximum weight

1/16": 65 lbs. 30 kg
3/32": 155 lbs. 70 kg

function

midway: puck for shelves, horizontal panels

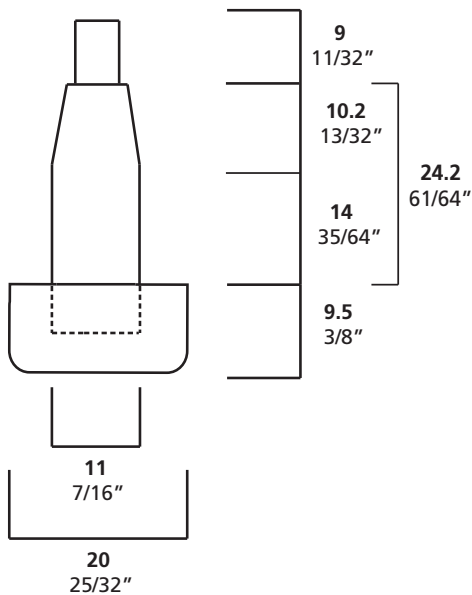
installation instructions

Midway: As shelf support, drill 1/2" Ø hole in shelf or panel material. Will support up to 1" thickness.

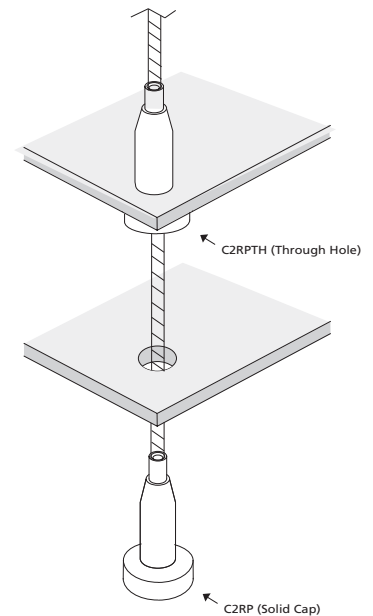
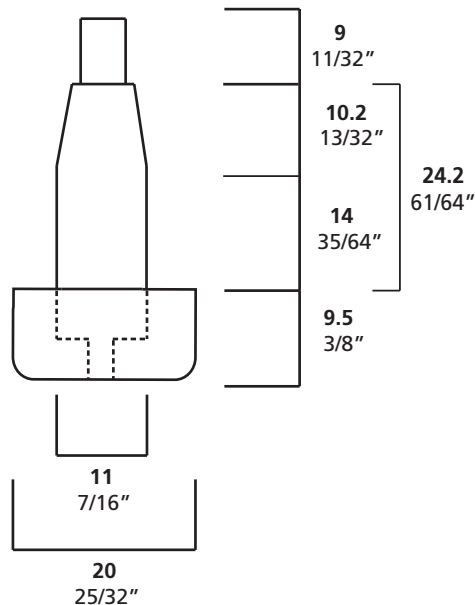
*** Not for glass installations.**

2-3

C2RP



C2RPTH



Arakawa Hanging Systems

2505 SE 11th Avenue, Suite 122
Portland, Oregon 97202
phone: 503.236.0440
fax: 503.236.0427
toll free: 888.272.5292

www.arakawagrip.com



Copyright © 2009 Arakawa & Co., Ltd. All rights reserved. Arakawa products are covered by U.S. and foreign patents, issued and pending. Specification and price change privileges reserved.