

# Sarabi Studio

Distinctive Design for the Modern Home

**Sarabi Studio**  
2105 Riverview St  
Austin, Texas  
78702

tel 512-573-0866

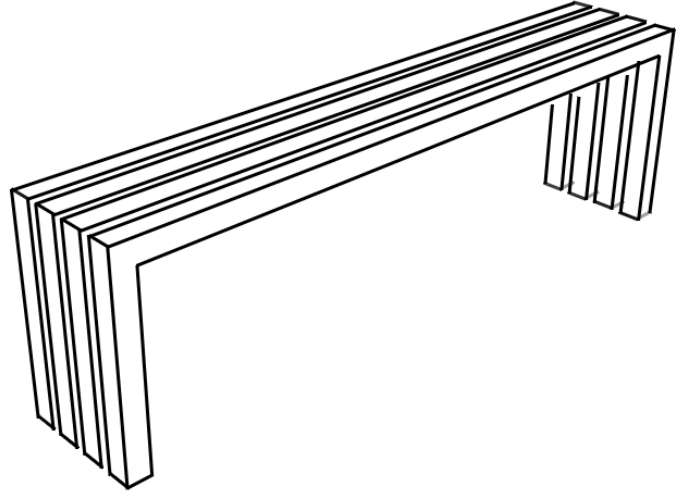
fax 512-532-0612

[www.sarabistudio.com](http://www.sarabistudio.com)

- Fully TIG Welded Construction
- Hand Finished #4 Brushed finish (SS model)
- Durable finish suitable indoors and out
- High impact floor protectors
- Optional bolt down or epoxy in place installation
- Hand crafted in the USA (Austin, TX)

## Linear

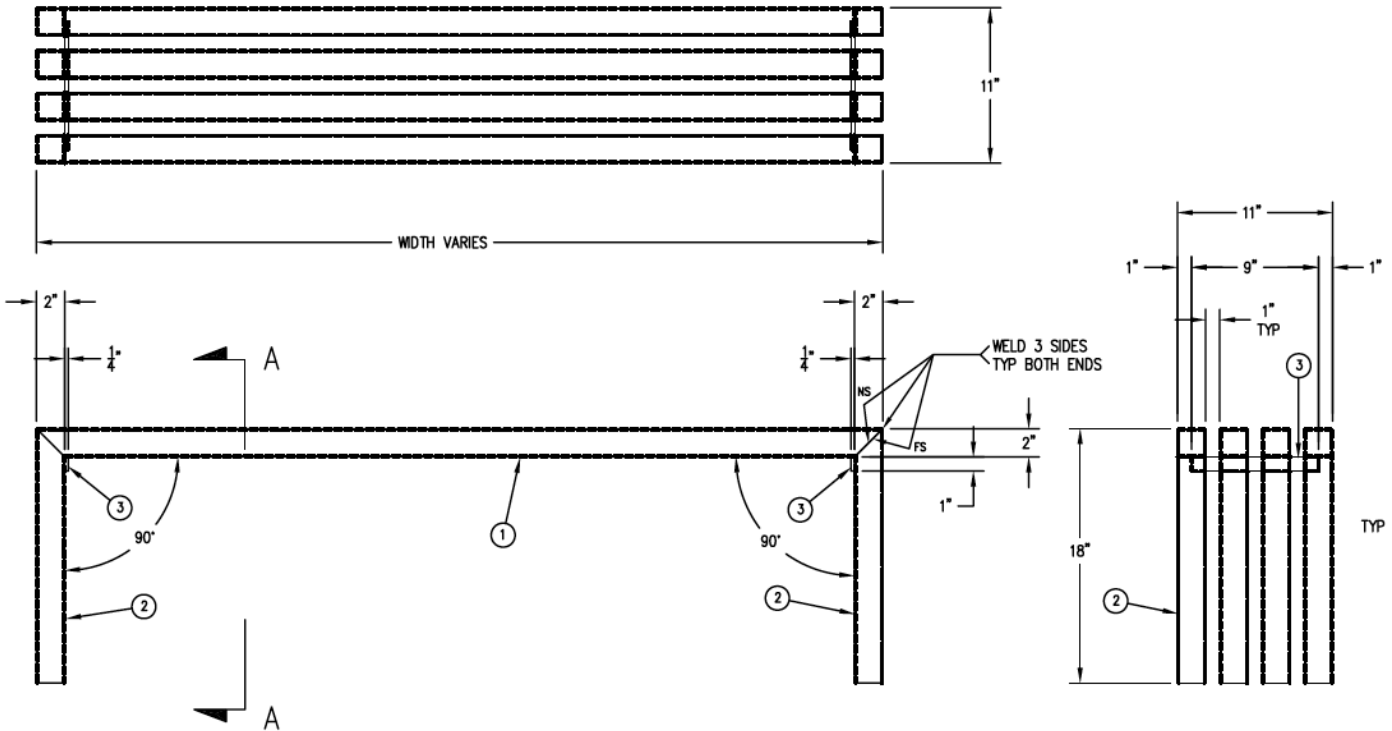
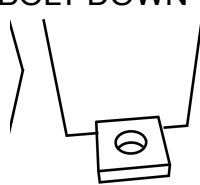
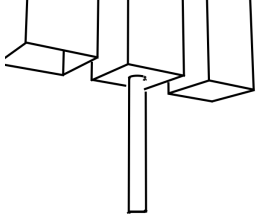
Custom Benches



### Permanent Installation Options:

EPOXY DOWN

BOLT DOWN



Model	Description	Color/Finish	Dimensions	Bolt Down	Epoxy Down
S-1058BS	58" Stainless Steel Bench	#4 Brushed	18" H X 58" W X 11" D		
S-1040BS	40" Stainless Steel Bench	#4 Brushed	18" H X 40" W X 11" D		
S-1058PC	58" Powder Coated Bench	Textured Black PC	18" H X 58" W X 11" D		
S-1040PC	40" Powder Coated Bench	Textured Black PC	18" H X 40" W X 11" D		
C-1000BS	Custom Stainless Steel Bench	#4 Brushed	18" H X ___ W X 11" D		
C-1000PC	Custom Powder Coated Bench	Textured Black PC	18" H X ___ W X 11" D		