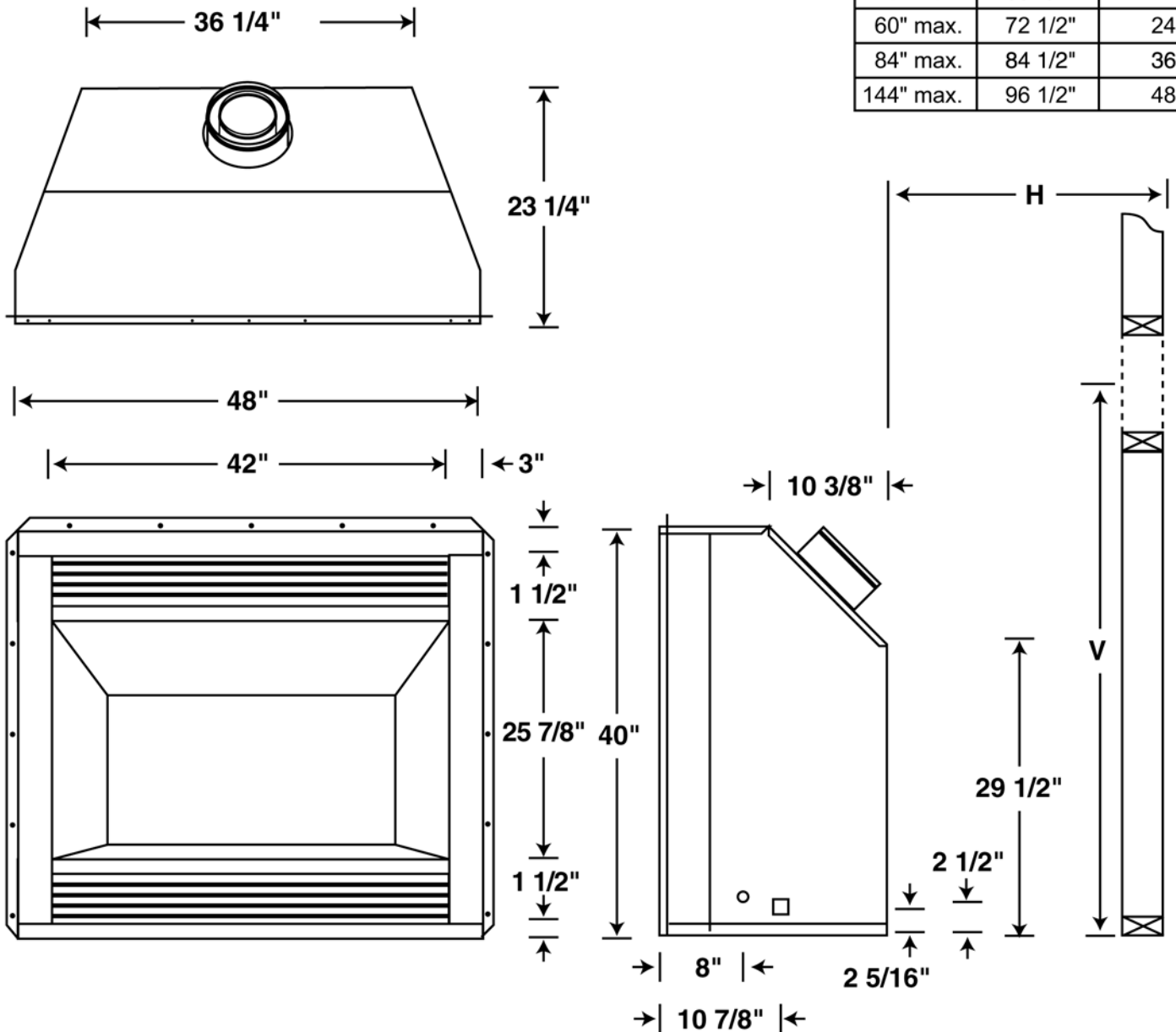


42" Direct Vent Fireplace

- 5"-8" Vent Pipe
- 45° Slant Back Design
- Continuous Hinge Glass Door
- Full Length Nailing Flanges

Typ. Ground Floor Installation (1 - 45° Elbow)			Installations requiring a 45° and 90° Elbow		
Horiz. Run (H)	Min. Height (V)	Required Horiz. Pipe	Horiz. Run (H)	Min. Height (V)	Required Vert. Pipe
17" max.	39"	12" max.	30" max.	50 1/2"	none
			48" max.	60 1/2"	12"
			60" max.	72 1/2"	24"
			84" max.	84 1/2"	36"
			144" max.	96 1/2"	48"



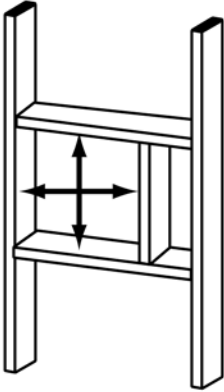
The Summit

42" Direct Vent Fireplace

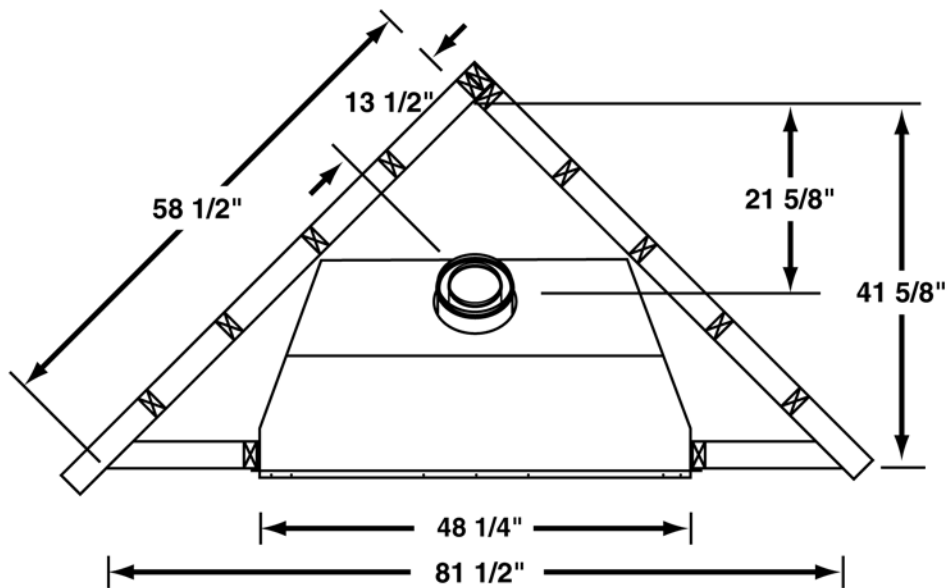
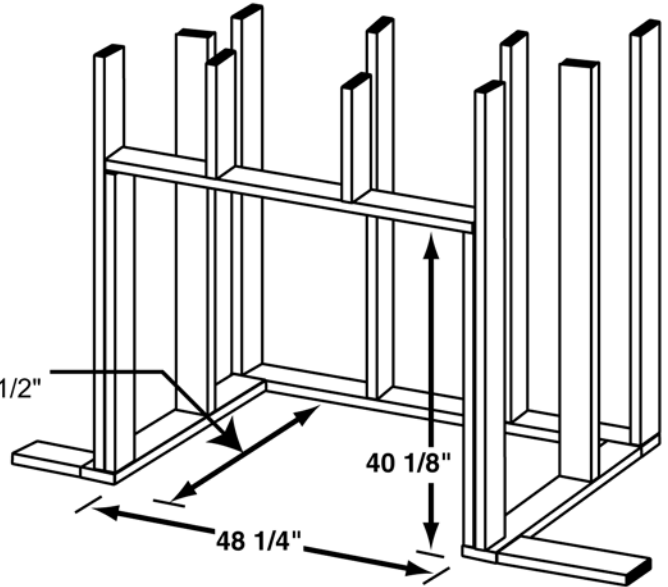
IRONHAUS
Handcrafted Fireplace Systems

Framing Dimensions

Vent Opening - 10 3/4" Square (I.D.)



Horiz. Venting - 23"
Vert. Venting - 26 1/2"



NOTE:

Built-in Features Such as Mantels, Bookshelves, etc. Made of Combustible Materials Must Maintain Minimum Clearances from the Fireplace. See Installation Instructions for Complete Information

"Product design, features and specifications are subject to change at any time. Refer to current product instructions prior to installation."