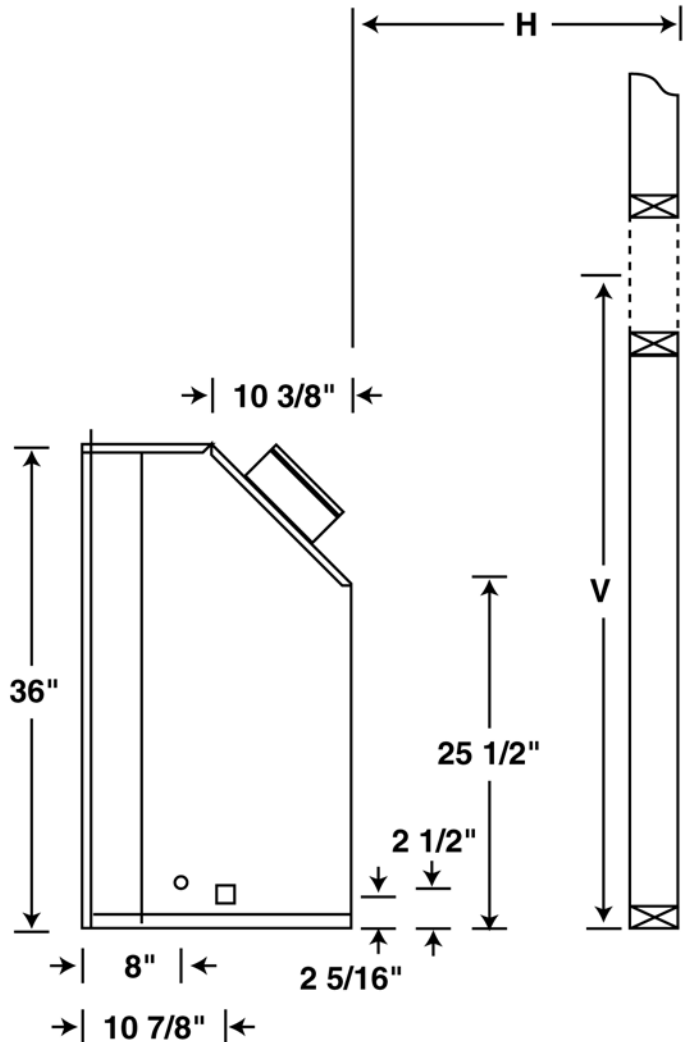
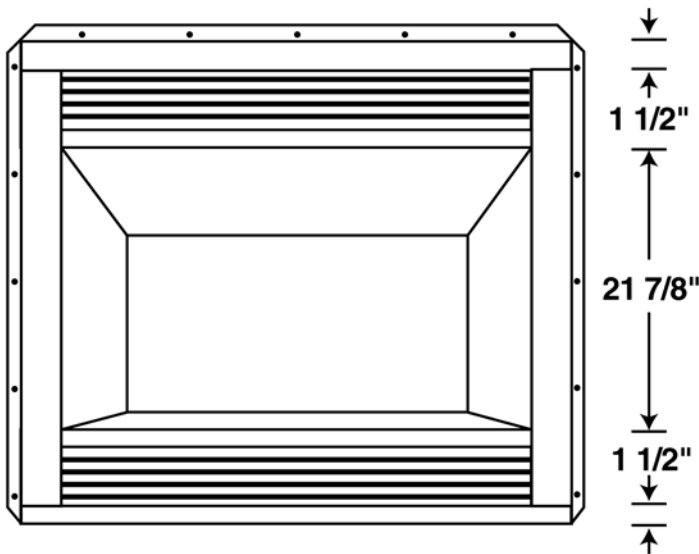
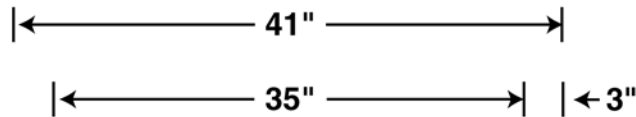
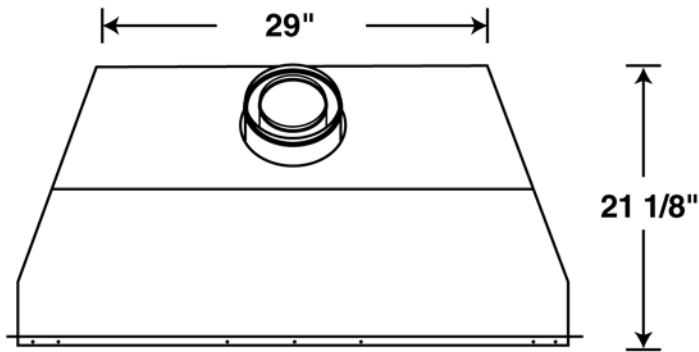


36" Direct Vent Fireplace

- 5"-8" Vent Pipe
- 45° Slant Back Design
- Continuous Hinge Glass Door
- Full Length Nailing Flanges

Typ. Ground Floor Installation (1 - 45° Elbow)		
Horiz. Run (H)	Min. Height (V)	Required Horiz. Pipe
17" max.	36"	12" max.

Installations requiring a 45° and 90° Elbow		
Horiz. Run (H)	Min. Height (V)	Required Vert. Pipe
30" max.	47 1/4"	none
48" max.	57 1/4"	12"
60" max.	69 1/4"	24"
84" max.	81 1/4"	36"
144" max.	93 1/4"	48"



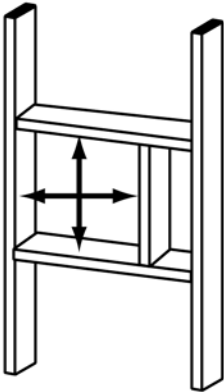
The Summit

36" Direct Vent Fireplace

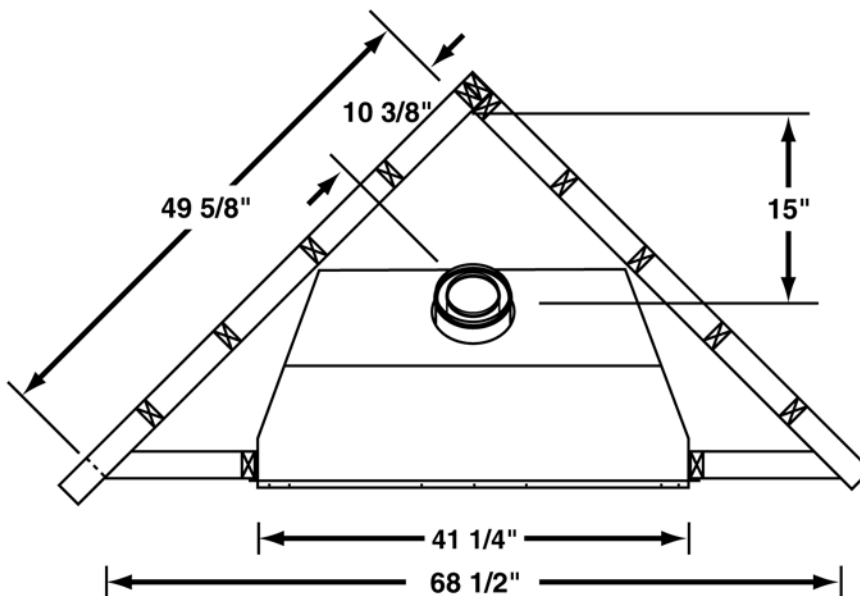
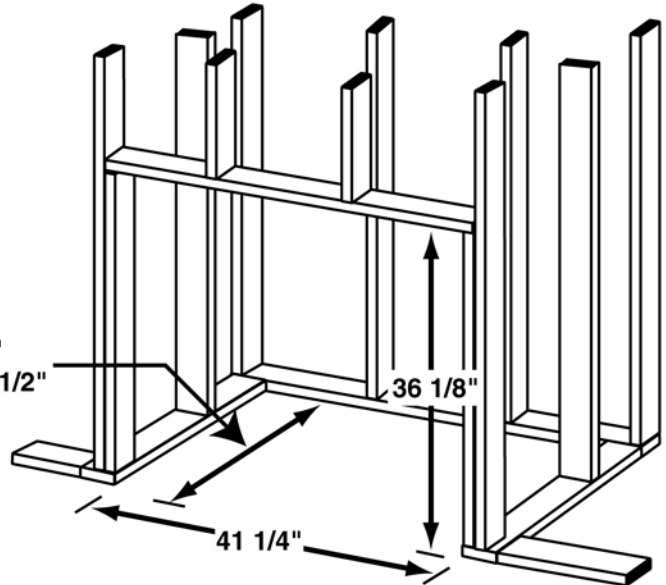
IRONHAUS
Handcrafted Fireplace Systems

Framing Dimensions

Vent Opening - 10 3/4" Square (I.D.)



Horiz. Venting - 21"
Vert. Venting - 24 1/2"



NOTE:

Built-in Features Such as Mantels, Bookshelves, etc. Made of Combustible Materials Must Maintain Minimum Clearances from the Fireplace. See Installation Instructions for Complete Information

"Product design, features and specifications are subject to change at any time. Refer to current product instructions prior to installation."

IRONHAUS, Inc. . . . 113 Lewis Ln. . . Hamilton, MT. 59840 866-880-0900 www.ironhaus.com

FA 9971 0708