

ELKAY® SPECIFICATIONS

The Mystic® by Elkay Undermount Sink Model MYSTIC2920

GENERAL

Highest quality contoured sink formed of #18 (1.2mm) gauge, type 304 (18-8) nickel bearing stainless steel.

DESIGN FEATURES

Bowl Depth: 10" (254mm).

Finish: Exposed surfaces are hand blended to a lustrous satin finish.

Underside: Fully protected by heavy duty Sound Guard® undercoating designed to prevent condensation and dampen sound.

OTHER

Drain Opening: 3-1/2" (89mm).

NOTE: All Elkay undermount sinks are designed to affix to the underside of any solid surface countertop.

Installation: See illustrated profile below.

This sink complies with ASME A112.19.3.



These sinks are listed by the International Association of Plumbing and Mechanical Officials as meeting the requirements of the Uniform Plumbing Code.

OPTIONAL ACCESSORIES

Bottom Grid: LKWOBG2616SS.

Cutting Board: LKCB2616HW.

Drain: LK99.

Rinsing Baskets: LKWRB1414SS, LKWERBSS.

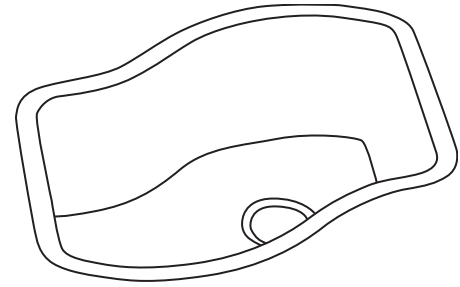
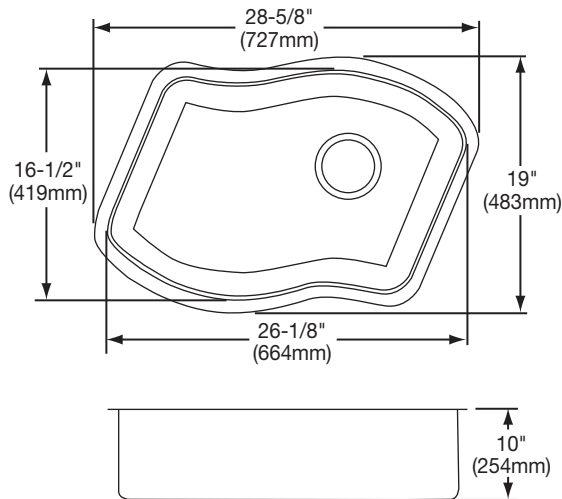
Utensil Caddy for Rinsing Basket: LKWUCSS.

SINK DIMENSIONS*

Model Number	Overall		Inside Bowl			Cutout in Countertop	Minimum Cabinet Size
	L	W	L	W	D		
MYSTIC2920	28 ⁵ / ₈ (721mm)	19 (483mm)	26 ¹ / ₈ (664mm)	16 ¹ / ₂ (419mm)	10 (254mm)	See Template**	33 (838mm)

*Length is left to right. Width is front to back.

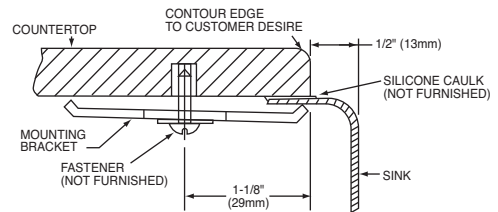
**Template and countertop mounting clips are packed with every sink.



Model MYSTIC2920

Installation Profile

The template provided with each sink provides the only type of installation recommended by Elkay.



In keeping with our policy of continuing product improvement, Elkay reserves the right to change product specifications without notice. Please visit elkayusa.com for most current version of Elkay product specification sheets.

This specification describes an Elkay product with design, quality and functional benefits to the user. When making a comparison of other producers' offerings, be certain these features are not overlooked.

Elkay

elkayusa.com

2222 Camden Court
Oak Brook, IL 60523

Printed in U.S.A.
©2008 Elkay

(Rev. 6/08) 1-264A