

ELKAY[®]

SPECIFICATIONS

Elkay Specialty Collection™ Universal Mount Sinks Model SCF1611 Series

GENERAL

High quality single bowl sink is formed of #18 (1.2mm) gauge copper or type 304 (18-8) nickel bearing stainless steel material. Specialty Collection copper sinks are made from genuine solid, uncoated material and will naturally tarnish. Universal mount sinks can be installed as a drop-in or undermount. Both types of clips are included.

- SCF1611CH** copper with hammered mirror finish
- SCF1611CM** copper with mirror finish
- SCF1611CS** copper with satin finish
- SCF1611SH** stainless steel with hammered mirror finish
- SCF1611SM** stainless steel with mirror finish
- SCF1611SR** stainless steel with a rugged satin finish

DESIGN FEATURES

Bowl Depth: 6-1/2" (165mm).

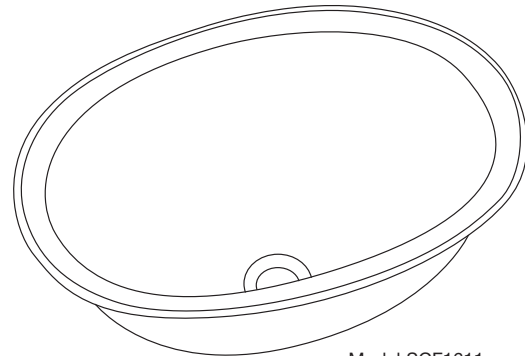
Underside: Sound deadening pads on sides.

Fastening Method: For drop-in application, utilize clips and attach to threaded stud (see illustration "A" below). For undermount application, utilize undermount clips (see illustration "B" below) – fasteners are not supplied.

OTHER

Drain Opening: 1-1/2" (38mm).

Sink includes overflow assembly with matching face plate.



Model SCF1611

ILLUSTRATION A

Installation Profile for Drop-in Application

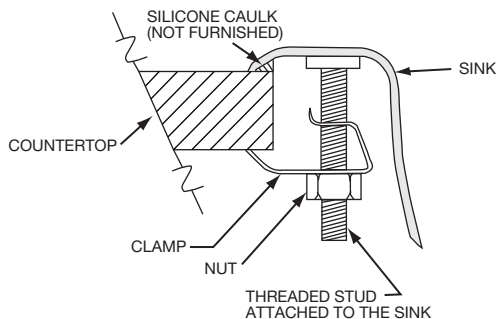
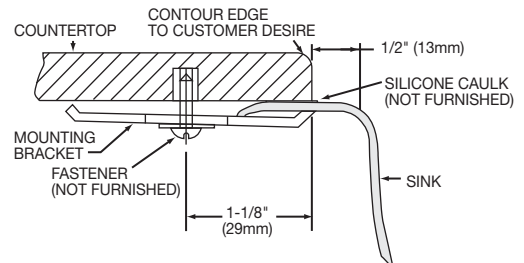


ILLUSTRATION B

Installation Profile for Undermount Application

The template provided with each sink provides the only type of undermount installation recommended by Elkay.



SEE OTHER SIDE FOR PRODUCT DIMENSIONS.

In keeping with our policy of continuing product improvement, Elkay reserves the right to change product specifications without notice. Please visit elkayusa.com for most current version of Elkay product specification sheets.

This specification describes an Elkay product with design, quality and functional benefits to the user. When making a comparison of other producers' offerings, be certain these features are not overlooked.

Elkay

elkayusa.com

2222 Camden Court
Oak Brook, IL 60523

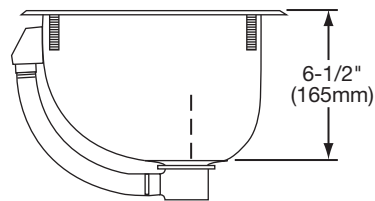
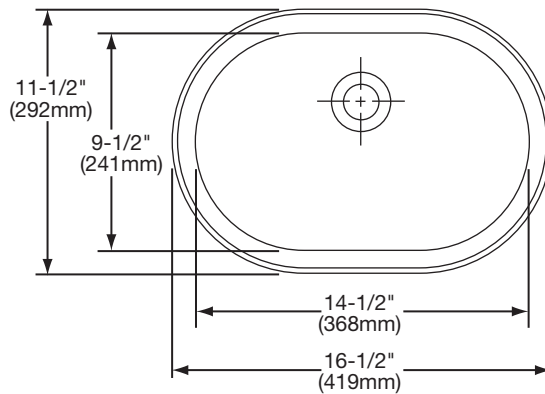
Printed in U.S.A.
©2008 Elkay

(Rev. 6/08) 1-171C

SINK DIMENSIONS*

Model Number	Overall		Inside Bowl			Cutout in Countertop	Minimum Cabinet Size
	L	W	L	W	D		
SCF1611CH	16½ (419mm)	11½ (292mm)	14½ (368mm)	9½ (241mm)	6½ (165mm)	See Template for undermount application. For drop-in application use sink upside down as template and cut 5/16" (8mm) INSIDE sink outline.	21 (533mm)
SCF1611CM	16½ (419mm)	11½ (292mm)	14½ (368mm)	9½ (241mm)	6½ (165mm)		21 (533mm)
SCF1611CS	16½ (419mm)	11½ (292mm)	14½ (368mm)	9½ (241mm)	6½ (165mm)		21 (533mm)
SCF1611SH	16½ (419mm)	11½ (292mm)	14½ (368mm)	9½ (241mm)	6½ (165mm)		21 (533mm)
SCF1611SM	16½ (419mm)	11½ (292mm)	14½ (368mm)	9½ (241mm)	6½ (165mm)		21 (533mm)
SCF1611SR	16½ (419mm)	11½ (292mm)	14½ (368mm)	9½ (241mm)	6½ (165mm)		21 (533mm)

*Length is left to right. Width is front to back.



Model SCF1611