

ELKAY[®]

SPECIFICATIONS

The Mystic™ by Elkay Undermount Sink and Sink Package

Models MYSTIC2221 and MYSTIC2221C

GENERAL

Highest quality contoured sink formed of #18 (1.2mm) gauge, type 304 (18-8) nickel bearing stainless steel. Furnished with LK8 grid strainer.

Model MYSTIC2221C package includes LKM7727PSS faucet.

DESIGN FEATURES

Bowl Depth: Slopes to 5-1/2" (140mm).

Finish: Exposed surfaces are hand blended to a lustrous satin finish.

Underside: Fully undercoated by heavy duty Sound Guard® undercoating to dampen sound and reduce condensation.

OTHER

Drain Opening: 2" (51mm).

Note: All Elkay undermount sinks are designed to affix to the underside of any solid surface countertop.

Installation: See illustrated profile below.

This sink complies with ASME A112.19.3-2008/CSA B45.4-08.

OPTIONAL ACCESSORIES

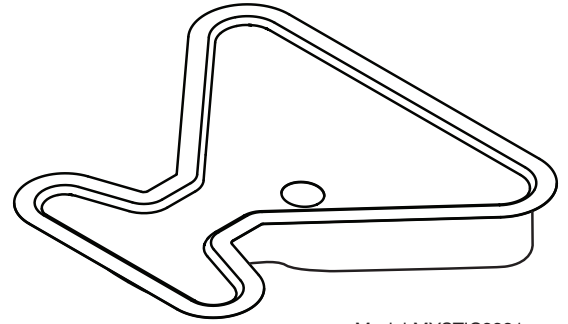
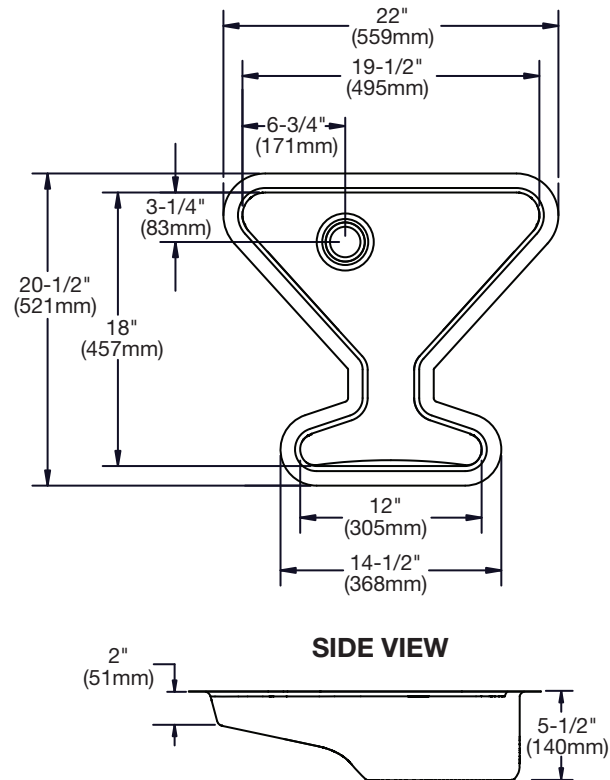
Mounting Clip: LKUCLIP8.

SINK DIMENSIONS*

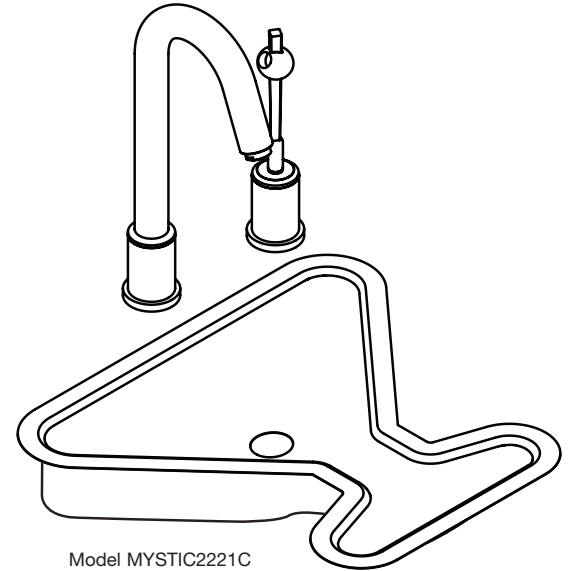
Model Number	Overall		Inside Bowl			Cutout in Countertop	Minimum Cabinet Size
	L	W	L	W	D		
MYSTIC2221	22 (559mm)	20 1/2" (521mm)	19 1/2" (495mm)	18 (457mm)	2 to 5 1/2" (51mm) (140mm)	See Template**	27 (686mm)
MYSTIC2221C	22 (559mm)	20 1/2" (521mm)	19 1/2" (495mm)	18 (457mm)	2 to 5 1/2" (51mm) (140mm)		27 (686mm)

*Length is left to right. Width is front to back.

**Template is packed with every sink.



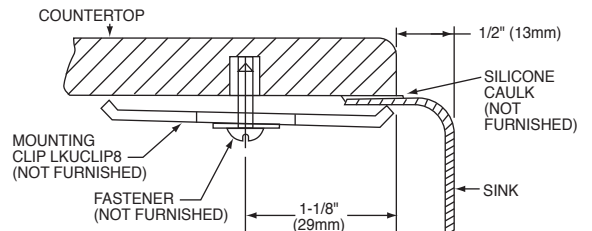
Model MYSTIC2221



Model MYSTIC2221C

Installation Profile

The template provided with each sink provides the only type of installation recommended by Elkay.



In keeping with our policy of continuing product improvement, Elkay reserves the right to change product specifications without notice. Please visit elkayusa.com for most current version of Elkay product specification sheets.

This specification describes an Elkay product with design, quality and functional benefits to the user. When making a comparison of other producers' offerings, be certain these features are not overlooked.

Elkay

elkayusa.com

2222 Camden Court
Oak Brook, IL 60523

Printed in U.S.A.
©2009 Elkay

(Rev. 1/09) 1-301B