

ELKAY[®]

SPECIFICATIONS

Pursuit™ Laundry/Utility Undermount Sinks Models PLAUH Series

GENERAL

Highest quality sink formed of #18 (1.2mm) gauge, type 316 nickel bearing stainless steel. Undermount.

DESIGN FEATURES

Bowl Depth: See chart on next page.

Coved Corners: 1-3/4" (44mm) vertical and horizontal radius.

Finish: Exposed surfaces are hand blended to a lustrous satin finish.

Underside: Fully protected by heavy duty enhanced Sound Guard[®] Plus undercoating to dampen sound and reduce condensation.

OTHER

Drain Opening: 3-1/2" (89mm).

Suffix L (left) or R (right) denotes location of the small bowl.

NOTE: All Elkay undermount sinks are designed to affix to the underside of any solid surface countertop.

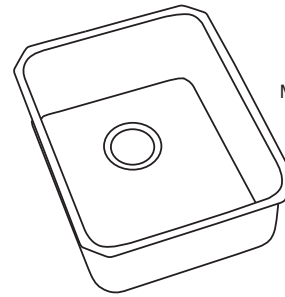
Installation: See illustrated profile below.

These sinks comply with ASME A112.19.3-2008/CSA B45.4-08.

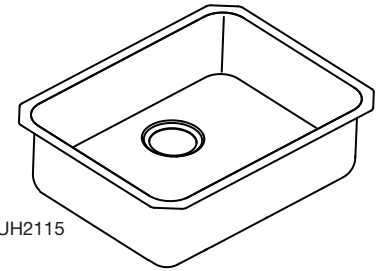
OPTIONAL ACCESSORIES

Drains: LK335, LK372.

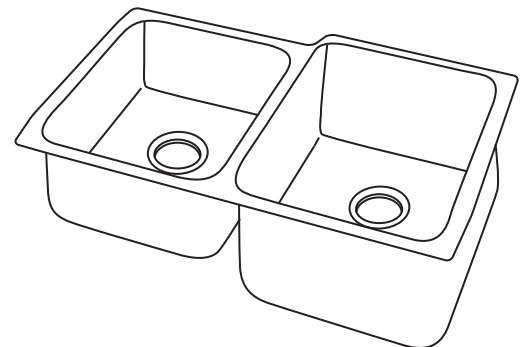
Mounting Clip: LKUCLIP8 (1 package required for single bowl models, 2 packages required for double bowl models).



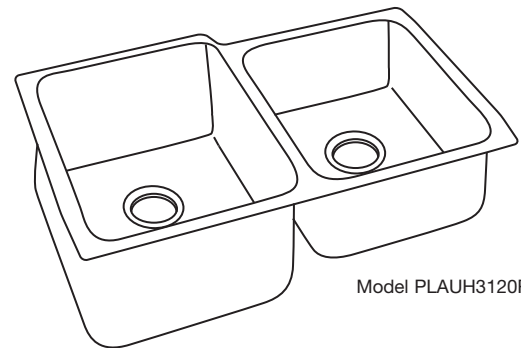
Model PLAUH141810



Model PLAUH2115



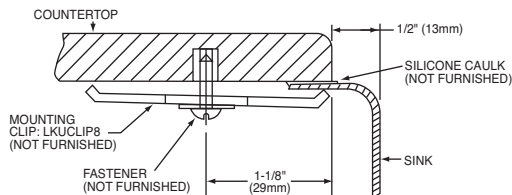
Model PLAUH3120L



Model PLAUH3120R

Installation Profile

The template provided with each sink provides the only type of installation recommended by Elkay.



SEE NEXT PAGE FOR PRODUCT DIMENSIONS.

In keeping with our policy of continuing product improvement, Elkay reserves the right to change product specifications without notice. Please visit elkayusa.com for most current version of Elkay product specification sheets.

This specification describes an Elkay product with design, quality and functional benefits to the user. When making a comparison of other producers' offerings, be certain these features are not overlooked.

Elkay

elkayusa.com

2222 Camden Court
Oak Brook, IL 60523

Printed in U.S.A.
©2008 Elkay

(Rev. 11/08)

1-291A

Pursuit™ Laundry/Utility Undermount Sinks
Models PLAUH Series

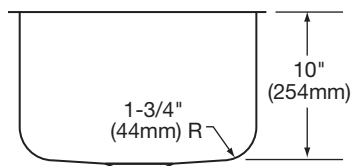
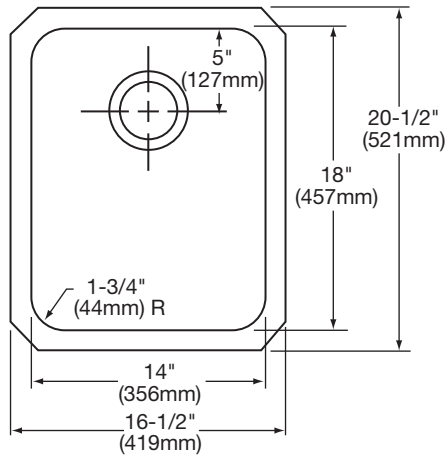
ELKAY®
SPECIFICATIONS

SINK DIMENSIONS*

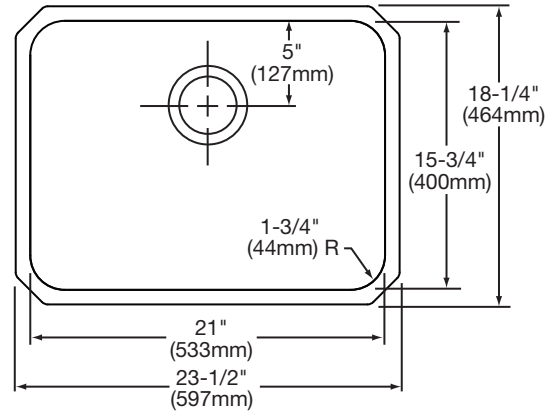
Model Number	Overall		Inside Bowl			Cutout in Countertop	Minimum Cabinet Size			
	L	W	L	W	D					
PLAUH141810	16 ¹ / ₂ (419mm)	20 ¹ / ₂ (521mm)	14 (356mm)	18 (457mm)	10 (254mm)	See Template**	21 (533mm)			
PLAUH2115	23 ¹ / ₂ (597mm)	18 ¹ / ₄ (464mm)	21 (533mm)	15 ³ / ₄ (400mm)	7 ¹ / ₂ (191mm)		27 (686mm)			
PLAUH211510	23 ¹ / ₂ (597mm)	18 ¹ / ₄ (464mm)	21 (533mm)	15 ³ / ₄ (400mm)	10 (254mm)		27 (686mm)			
PLAUH281612	30 ¹ / ₂ (775mm)	18 ¹ / ₂ (470mm)	28 (711mm)	16 (406mm)	11 ¹ / ₂ (292mm)		36 (914mm)			
Model Number	Overall		Inside Left Bowl			Inside Right Bowl			Cutout in Countertop	Minimum Cabinet Size
	L	W	L	W	D	L	W	D		
PLAUH3120L	31 ¹ / ₄ (794mm)	20 ¹ / ₂ (521mm)	13 ¹ / ₂ (343mm)	16 (406mm)	7 ⁷ / ₈ (200mm)	14 (356mm)	18 (457mm)	9 ⁷ / ₈ (251mm)	See Template**	36 (914mm)
PLAUH3120R	31 ¹ / ₄ (794mm)	20 ¹ / ₂ (521mm)	14 (356mm)	18 (457mm)	9 ⁷ / ₈ (251mm)	13 ¹ / ₂ (343mm)	16 (406mm)	7 ⁷ / ₈ (200mm)		36 (914mm)

*Length is left to right. Width is front to back.

**Template is packed with every sink.



Model PLAUH141810 Illustrated

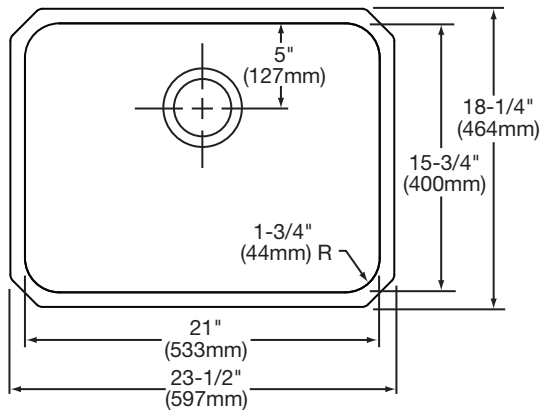


Model PLAUH2115 Illustrated

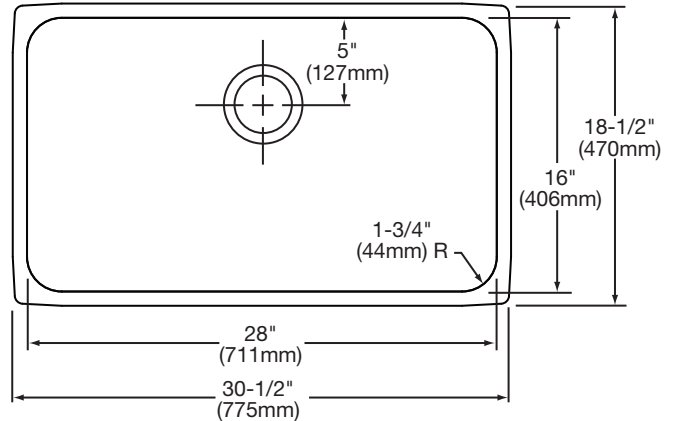
ELKAY[®]

SPECIFICATIONS

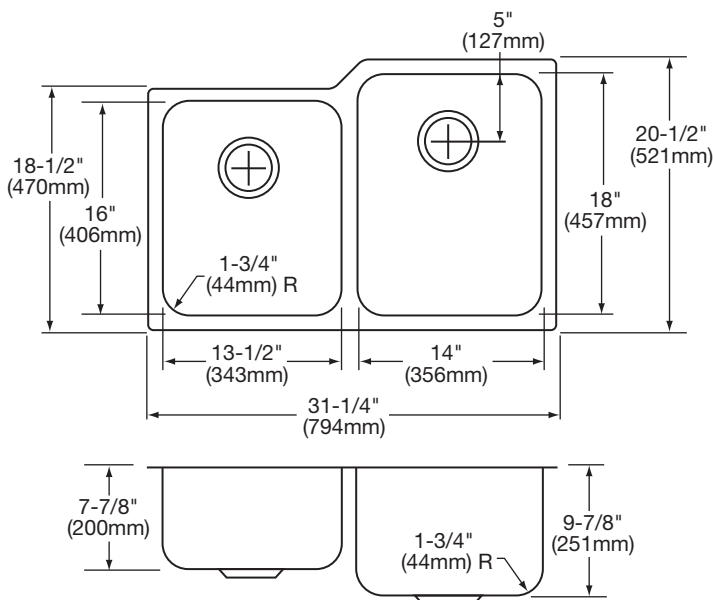
Pursuit™ Laundry/Utility Undermount Sinks Models PLAUH Series



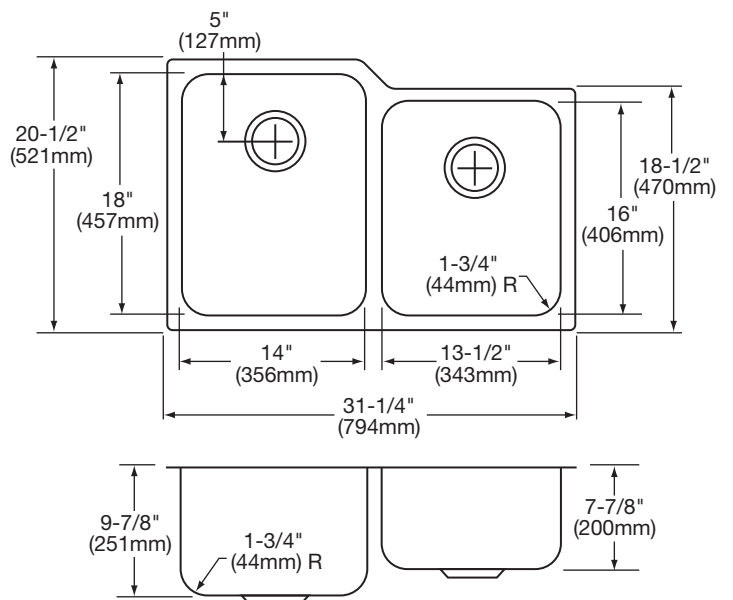
Model PLAUH211510 Illustrated



Model PLAUH281612 Illustrated



Model PLAUH3120L Illustrated



Model PLAUH3120R Illustrated