

ELKAY[®]

SPECIFICATIONS

Harmony™ Double Bowl Sink

Models ECGR3322 and ECGR332210 Series

GENERAL

Fine quality sink formed of #18 gauge, type 304 nickel bearing stainless steel. Top mount.

DESIGN FEATURES

Bowl Depth: ECGR3322L/R - 8" (large bowl), 6-1/16" (small bowl); ECGR332210L/R - 10" (large bowl), 6-1/16" (small bowl).

Finish: Exposed surfaces are polished to a soft satin finish.

Bowl and Faucet Deck Recess: 3/8" below outside edge of sink.

Underside: Fully protected by heavy duty Sound Guard[®] undercoating to dampen sound and prevent condensation.

Aqueduct: Recessed partition allows water to flow to adjacent bowl before overflowing sink.

OTHER

Drain Opening: 3-1/2".

NOTE: Unless otherwise specified sink is furnished with 2 faucet holes as shown.

Suffix L (left) or R (right) denotes location of small bowl.

These sinks comply with ASME A112.19.3.



These sinks are listed by the International Association of Plumbing and Mechanical Officials as meeting the requirements of the Uniform Plumbing Code.

OPTIONAL ACCESSORIES

Rinsing Baskets: LKWRB715SS (small bowl), LWRB2118SS (large bowl), LKWERBSS (large bowl).

Utensil Caddy for Rinsing Basket: LKWUCSS.

Bottom Grid: LKWOBG2118SS (large bowl).

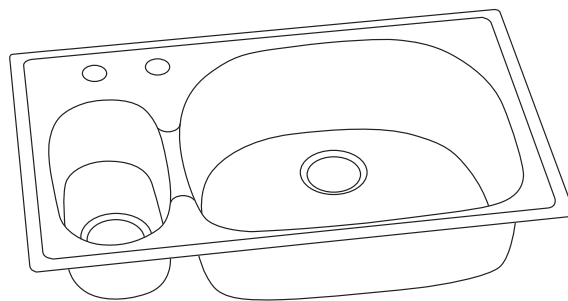
Cutting Board: CB2213 (large bowl).

Colander: SC1407 (small bowl).

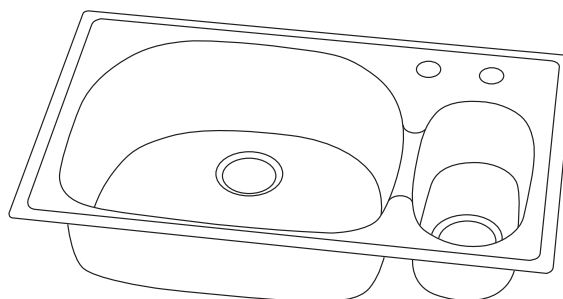
SINK DIMENSIONS (INCHES)*

Model Number	Overall		Inside Left Bowl			Inside Right Bowl			Cutout In Countertop (1 1/2" Radius Corners)		No of 1 1/2" Dia. Faucet Holes	Minimum Cabinet Size
	L	W	L	W	D	L	W	D	L	W		
ECGR3322L	33	22	7	14 1/8	6 1/16	21	18 5/8	8	32 3/8	21 3/8	1, 2, 3, 4	36
ECGR332210L	33	22	7	14 1/8	6 1/16	21	18 5/8	10	32 3/8	21 3/8	1, 2, 3, 4	36
ECGR3322R	33	22	21	18 5/8	8	7	14 1/8	6 1/16	32 3/8	21 3/8	1, 2, 3, 4	36
ECGR332210R	33	22	21	18 5/8	10	7	14 1/8	6 1/16	32 3/8	21 3/8	1, 2, 3, 4	36

*Length is left to right. Width is front to back.



Model ECGR3322L2



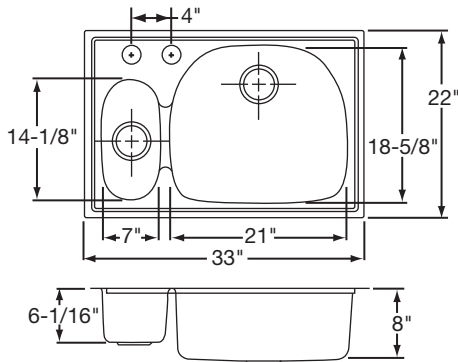
Model ECGR3322R2

SEE OTHER SIDE FOR PRODUCT DIMENSIONS.

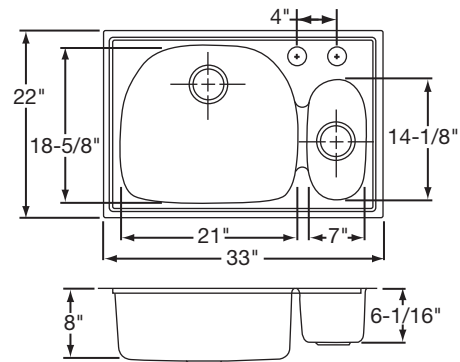
ALL DIMENSIONS IN INCHES, TO CONVERT TO MILLIMETERS MULTIPLY BY 25.4.

In keeping with our policy of continuing product improvement, Elkay reserves the right to change product specifications without notice.

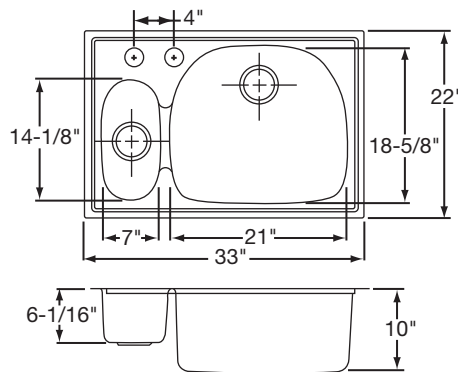
This specification describes an Elkay product with design, quality and functional benefits to the user. When making a comparison of other producers' offerings, be certain these features are not overlooked.



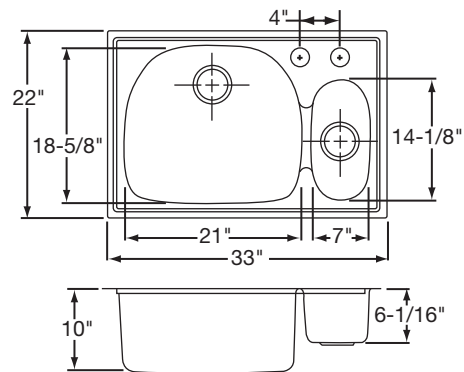
Model ECGR3322L2 Illustrated



Model ECGR3322R2 Illustrated



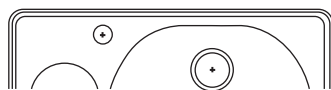
Model ECGR332210L2 Illustrated



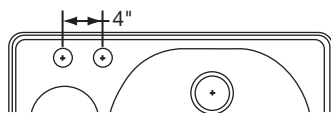
Model ECGR332210R2 Illustrated

HOLE DRILLING CONFIGURATIONS

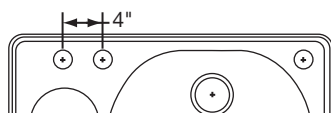
Left Version



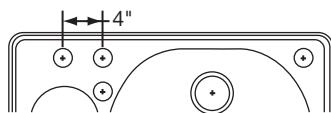
Model ECGR3322(10)L1



Model ECGR3322(10)L2

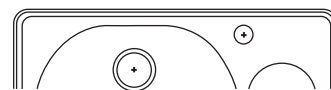


Model ECGR3322(10)L3

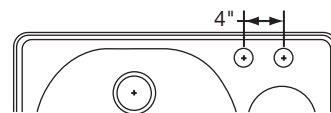


Model ECGR3322(10)L4

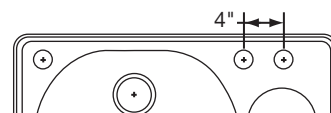
Right Version



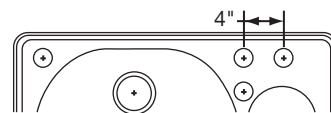
Model ECGR3322(10)R1



Model ECGR3322(10)R2



Model ECGR3322(10)R3



Model ECGR3322(10)R4