

# ELKAY<sup>®</sup>

## SPECIFICATIONS

### Harmony™ Undermount Double Bowl Sink with Ribbed Area Models ELUH4221L and ELUH4221R

#### GENERAL

Highest quality sink formed of #18 (1.2mm) gauge, type 304 (18-8) nickel bearing stainless steel. Undermount.

#### DESIGN FEATURES

Bowl Depths: 9-1/2" (241mm) (large bowl) and 6" (152mm) (small bowl). Integral ribbed work area is recessed 2" (51mm).

Finish: Exposed surfaces are hand blended to a lustrous satin finish.

Underside: Fully protected by heavy duty Sound Guard® undercoating to dampen sound and reduce condensation.

NOTE: All Elkay undermount sinks are designed to affix to the underside of any solid surface countertop.

#### OTHER

Drain Opening: 3-1/2" (89mm).

Suffix L (left) or R (right) denotes location of the large bowl.

Faucet Holes: Sink and template has 4 faucet holes to be used as a guide for drilling holes in the countertop (see Figure 1).

Cutting Board: CBP1319L or R provided.

These sinks comply with ASME A112.19.3.



These sinks are listed by the International Association of Plumbing and Mechanical Officials as meeting the requirements of the Uniform Plumbing Code.

#### OPTIONAL ACCESSORIES

Bottom Grid: LKWOBG1618SS (large bowl).

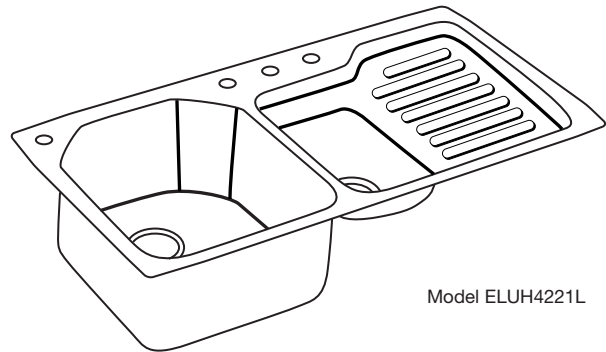
Cutting Boards: CB1713, CBS1316 (large bowl).

Drain: LK99.

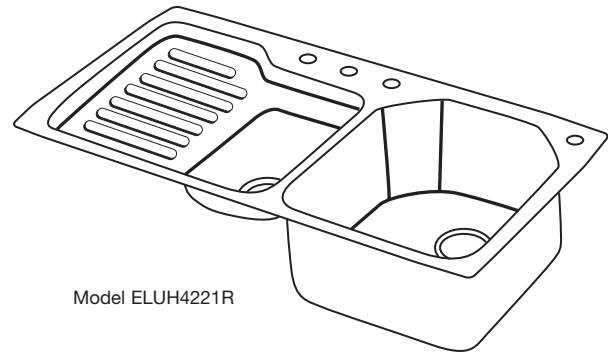
Mounting Clip: LKUCLIP8 (2 packages)

Rinsing Baskets: LKWRB1618SS, LKWERBSS (large bowl).

Utensil Caddy for Rinsing Basket: LKWUCSS.

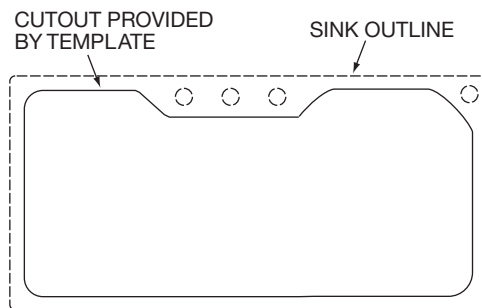


Model ELUH4221L



Model ELUH4221R

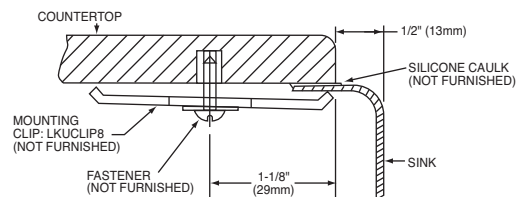
FIGURE 1



Model ELUH4221R Illustrated

#### Installation Profile

The template provided with each sink provides the only type of installation recommended by Elkay.



SEE OTHER SIDE FOR PRODUCT DIMENSIONS.

In keeping with our policy of continuing product improvement, Elkay reserves the right to change product specifications without notice. Please visit [elkayusa.com](http://elkayusa.com) for most current version of Elkay product specification sheets.

This specification describes an Elkay product with design, quality and functional benefits to the user. When making a comparison of other producers' offerings, be certain these features are not overlooked.

**Harmony™ Undermount Double Bowl Sink with Ribbed Area**  
**Models ELUH4221L and ELUH4221R**

**ELKAY®**  
**SPECIFICATIONS**

**SINK DIMENSIONS\***

Model Number	Overall		Inside Left Bowl			Inside Right Bowl			Ribbed Area Length	Cutout in Countertop	No. of 1 1/2" (38mm) Dia. Faucet Holes 4" (102mm) Centers	Minimum Cabinet Size
	L	W	L	W	D	L	W	D				
ELUH4221L	41 1/2 (1054mm)	20 1/2 (521mm)	16 (406mm)	18 (457mm)	9 1/2 (241mm)	7 1/2 (191mm)	12 7/8 (327mm)	6 (152mm)	12 7/8 (327mm)	See Template**	4	45 (1143mm)
ELUH4221R	41 1/2 (1054mm)	20 1/2 (521mm)	7 1/2 (191mm)	12 7/8 (327mm)	6 (152mm)	16 (406mm)	18 (457mm)	9 1/2 (241mm)	12 7/8 (327mm)		4	45 (1143mm)

\*Length is left to right. Width is front to back.  
 \*\*Template is packed with every sink.

