

ELKAY[®]

SPECIFICATIONS

Lustertone[®] Undermount Triple Bowl Sink Model ELUH3920

GENERAL

Highest quality sink seamlessly drawn of #18 (1.2mm) gauge, type 304 (18-8) nickel bearing stainless steel. Underside of sink is fully protected by heavy duty Sound Guard™ undercoating. Designed to accept waste disposer.

DESIGN FEATURES

Bowl Depth: 10" (254mm) (Left Bowl), 5-9/16" (141mm) (Center), 7-1/2" (191mm) (Right Bowl).

Finish: Exposed surfaces are hand blended to a lustrous highlighted satin finish.

Underside: Fully protected by heavy duty Sound Guard™ undercoating to reduce condensation and deaden sound.

OTHER

Drain Openings: 3-1/2" (89mm).

Note: All Elkay undermount sinks are designed to affix easily to the underside of any solid surface countertop.

This sink complies with ASME A112.19.3.



This sink is listed by the International Association of Plumbing and Mechanical Officials as meeting the requirements of the Uniform Plumbing Code.

OPTIONAL ACCESSORIES

Rinsing Baskets: LKWRB1115SS, LKWRB1617SS, LKWRB715SS.

Bottom Grids: LKWOBG1716SS, LKWOBG1115SS.

Cutting Board: CB1713.

Drains: LK99, LK35.

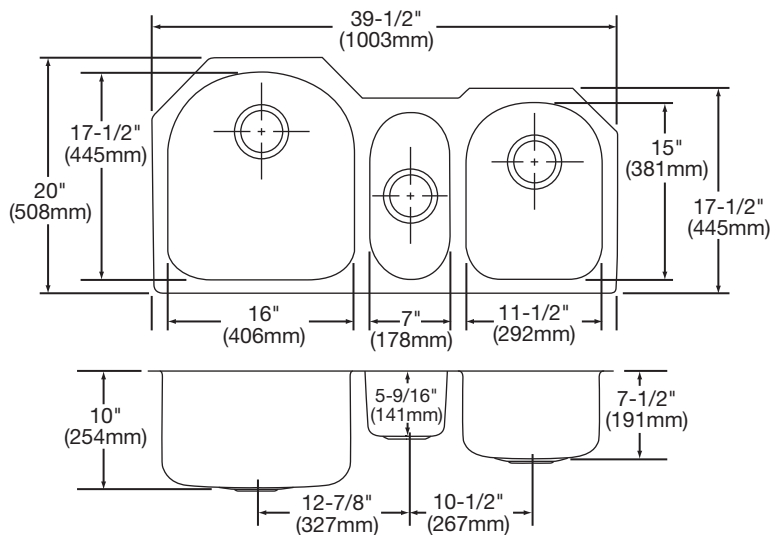
Recommended Cleaner: LKSB16EA.

SINK DIMENSIONS*

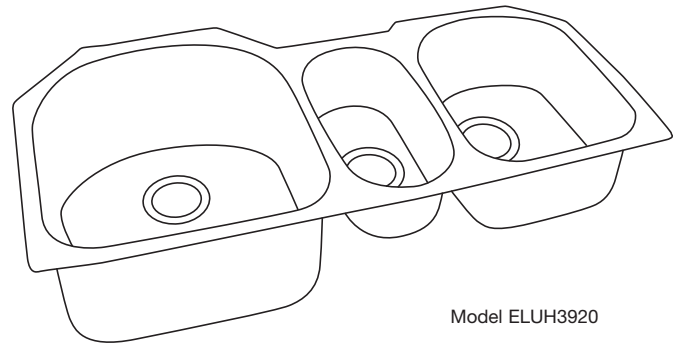
Model Number	Overall		Inside Left Bowl			Inside Center Bowl			Inside Right Bowl			Cutout in Countertop	Minimum Cabinet Size
	L	W	L	W	D	L	W	D	L	W	D		
ELUH3920	39 1/2 (1003mm)	20 (508mm)	16 (406mm)	17 1/2 (445mm)	10 (254mm)	7 (178mm)	14 1/8 (359mm)	5 9/16 (141mm)	11 1/2 (292mm)	15 (381mm)	7 1/2 (191mm)	See Template**	45 (1143mm)

*Length is left to right. Width is front to back.

**Template and countertop mounting clips are packed with every sink.



Model ELUH3920 Illustrated



Model ELUH3920

Installation Profile of ELUH Triple Bowl Models

The template provided with each ELUH sink provides the only type of installation recommended by Elkay.

