

ELKAY[®]

SPECIFICATIONS

Harmony[®] Undermount Double Bowl Sink Model ELUH3119 Series

GENERAL

Highest quality sink formed of #18 (1.2mm) gauge, type 304 (18-8) nickel bearing stainless steel. Undermount.

DESIGN FEATURES

Bowl Depth: 7-1/2" (191mm) (ELUH3119); 10" (254mm) (ELUH311910 Large Bowl); 7-1/2" (191mm) (ELUH311910 Small Bowl).

Finish: Exposed surfaces are hand blended to a lustrous satin finish.

Underside: Underside of sink is fully protected by heavy duty Sound Guard™ undercoating to prevent condensation and dampen sound.

OTHER

Drain Opening: 3-1/2" (89mm).

Note: All Elkay undermount sinks are designed to affix to the underside of any solid surface countertop.

These sinks comply with Standards ASME A112.19.3 and CSA B45.4.



These sinks are listed by the International Association of Plumbing and Mechanical Officials as meeting the requirements of the Uniform Plumbing Code.

OPTIONAL ACCESSORIES

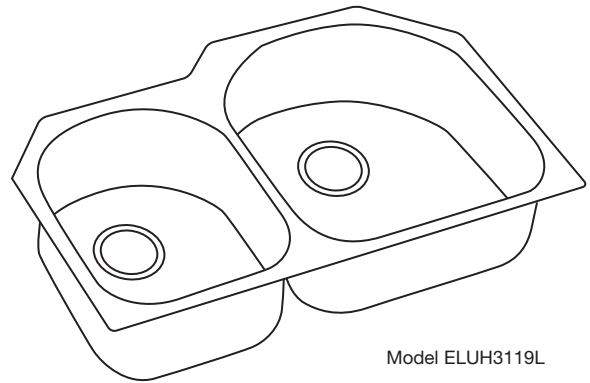
Bottom Grid: LKWOBG1115SS (small bowl), LKWOBG1617SS (large bowl).

Cutting Board: CB1713 (large bowl).

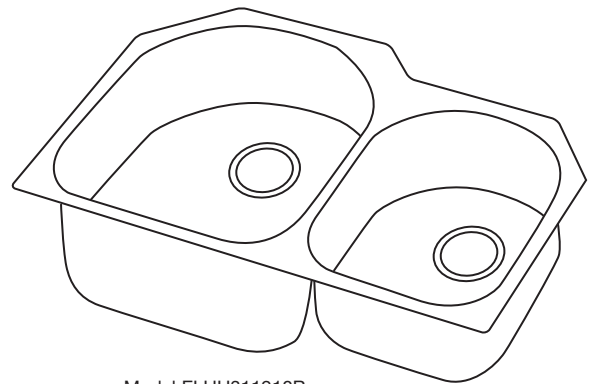
Drain: LK99.

Rinsing Baskets: LKWRB1115SS (small bowl), LKWRB1617SS and LKWERBSS (large bowl).

Utensil Caddy for Rinsing Basket: LKWUCSS.



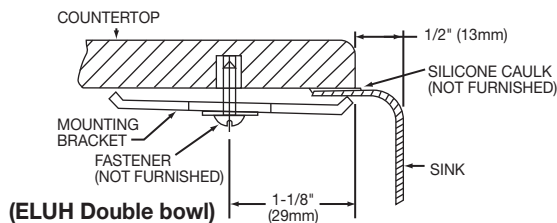
Model ELUH3119L



Model ELUH311910R

Installation Profile of ELUH Models

The template provided with each ELUH sink provides the only type of installation recommended by Elkay.



SEE OTHER SIDE FOR PRODUCT DIMENSIONS.

In keeping with our policy of continuing product improvement, Elkay reserves the right to change product specifications without notice. Please visit elkayusa.com for most current version of Elkay product specification sheets.

This specification describes an Elkay product with design, quality and functional benefits to the user. When making a comparison of other producers' offerings, be certain these features are not overlooked.

Elkay

elkayusa.com

2222 Camden Court
Oak Brook, IL 60523

Printed in U.S.A.
©2008 Elkay

(Rev. 7/08) 1-123F

Harmony® Undermount Double Bowl Sink
Model ELUH3119 Series

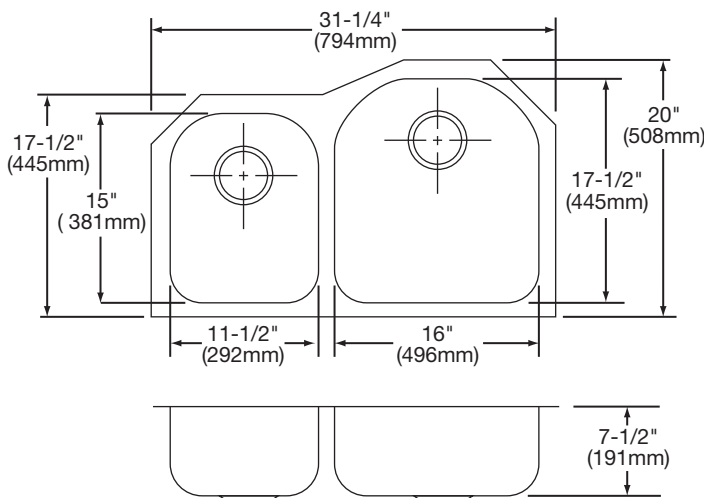
ELKAY®
SPECIFICATIONS

SINK DIMENSIONS*

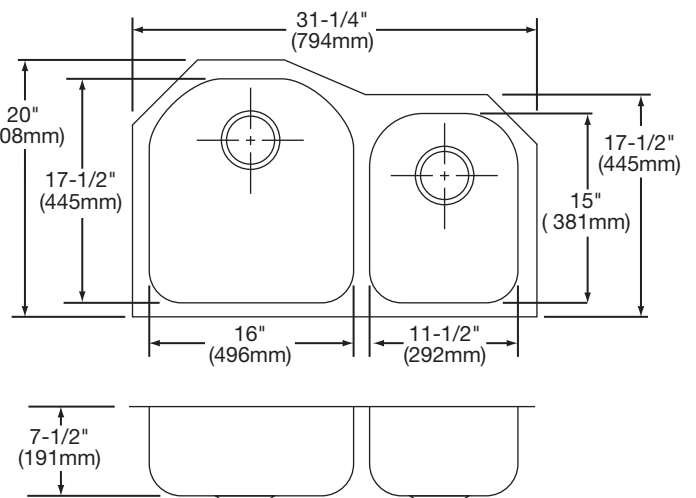
Model Number	Overall		Inside Left Bowl			Inside Right Bowl			Cutout in Countertop	Minimum Cabinet Size
	L	W	L	W	D	L	W	D		
ELUH3119L	31 ¹ / ₄ (794mm)	20 (508mm)	11 ¹ / ₂ (292mm)	15 (381mm)	7 ¹ / ₂ (191mm)	16 (406mm)	17 ¹ / ₂ (445mm)	7 ¹ / ₂ (191mm)	See Template**	36 (914mm)
ELUH3119R	31 ¹ / ₄ (794mm)	20 (508mm)	16 (406mm)	17 ¹ / ₂ (445mm)	7 ¹ / ₂ (191mm)	11 ¹ / ₂ (292mm)	15 (381mm)	7 ¹ / ₂ (191mm)		36 (914mm)
ELUH311910L	31 ¹ / ₄ (794mm)	20 (508mm)	11 ¹ / ₂ (292mm)	15 (381mm)	7 ¹ / ₂ (191mm)	16 (406mm)	17 ¹ / ₂ (445mm)	10 (254mm)		36 (914mm)
ELUH311910R	31 ¹ / ₄ (794mm)	20 (508mm)	16 (406mm)	17 ¹ / ₂ (445mm)	10 (254mm)	11 ¹ / ₂ (292mm)	15 (381mm)	7 ¹ / ₂ (191mm)		36 (914mm)

*Length is left to right. Width is front to back.

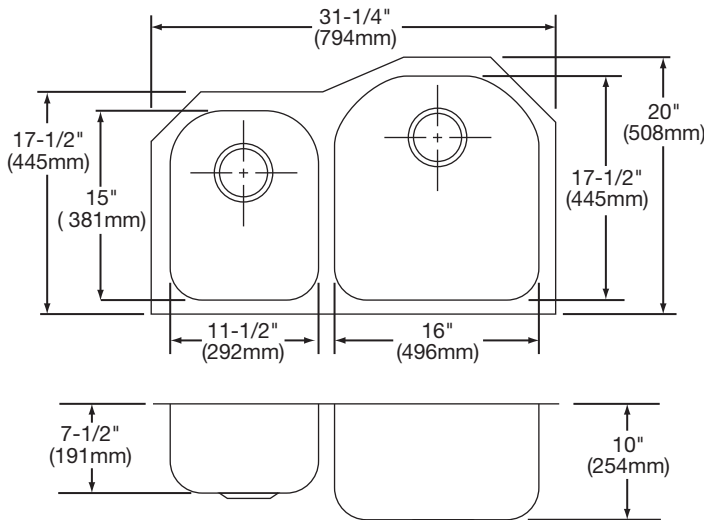
**Template and countertop mounting clips are packed with every sink.



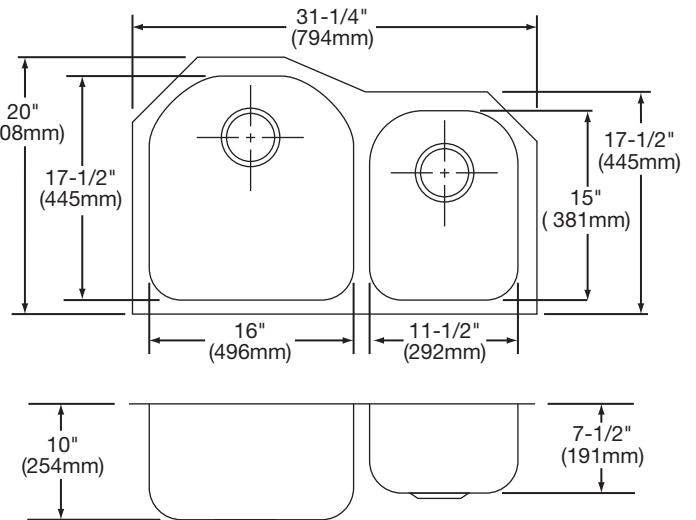
Model ELUH3119L Illustrated



Model ELUH3119R Illustrated



Model ELUH311910L Illustrated



Model ELUH311910R Illustrated