

**Lustertone® Gourmet Single Bowl Hospitality Sink
18 Gauge - Type 304 - Self Rim
Model BLGR-1515**



SPECIFICATIONS

GENERAL

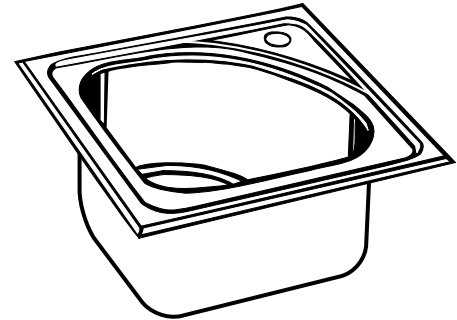
Highest quality Lustertone single bowl is seamlessly drawn of #18 gauge, type 304 (18-8) nickel bearing stainless steel. Self-rimming.

DESIGN FEATURES

Bowl Depth: 6-1/2".
Finish: Exposed surfaces are hand blended to a lustrous high-lighted satin finish, with hi-shine bowl radius.
Underside: Fully protected by Heavy Duty Sound Guard under-coating.

OTHER

Drain Opening: 2".
NOTE: Available with one faucet hole only.
Complies with ANSI Standard A112.19.3M.



Model BLGR-1515-1



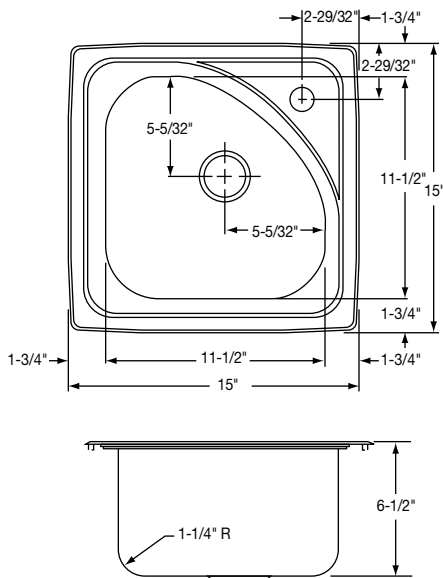
This sink is listed by the International Association of Plumbing and Mechanical Officials as meeting the requirements of the Uniform Plumbing Code.



This sink is listed with the Canadian Standards Association.

SINK DIMENSIONS

Model Number	DIMENSIONS IN INCHES					Cutout in Countertop (1 1/2" Radius Corners)		No. of 1 1/4" Dia. Faucet Holes	Ship. Wt. Lbs.
	Length is left to right. Width is front to back.					L	W		
	Overall		Inside Bowl						
L	W	L	W	D	L	W			
BLGR-1515	15	15	11 1/2	11 1/2	6 1/2	14 3/8	14 3/8	1	8



Model BLGR-1515 Illustrated

ALL DIMENSIONS IN INCHES, TO CONVERT TO MILLIMETERS MULTIPLY BY 25.4.

In keeping with our policy of continuing product improvement, Elkay reserves the right to change product specifications without notice.

This specification describes an Elkay product with design, quality and functional benefits to the user. When making a comparison of other producers' offerings, be certain these features are not overlooked.