

ELKAY[®]

SPECIFICATIONS

Harmony™ Single Bowl Sink Models ECG2522 and ECG252210

GENERAL

Fine quality sink formed of #18 gauge, type 304 nickel bearing stainless steel. Top mount.

DESIGN FEATURES

Bowl Depth: 8-3/8" (ECG2522); 10-3/8" (ECG252210).

Bowl and Faucet Deck Recess: 3/8" below outside edge of sink.

Finish: Exposed surfaces are polished to a soft satin finish.

Underside: Sound absorbing pads applied to dampen sound.

OTHER

Drain Opening: 3-1/2".

NOTE: Unless otherwise specified, sink is furnished with 1 faucet hole as shown.

These sinks comply with ASME A112.19.3.



These sinks are listed by the International Association of Plumbing and Mechanical Officials as meeting the requirements of the Uniform Plumbing Code.

OPTIONAL ACCESSORIES

Rinsing Baskets: LKWRB2118SS, LKWERBSS.

Utensil Caddy for Rinsing Basket: LKWUCSS.

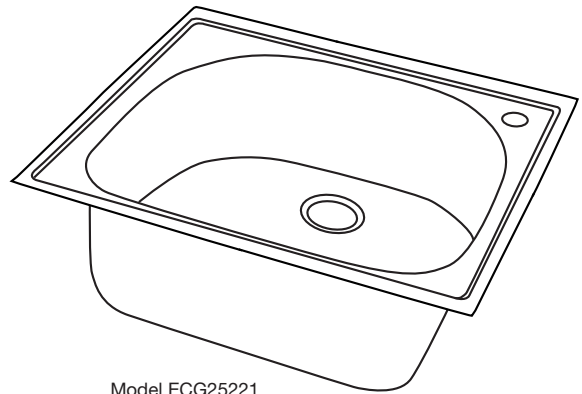
Bottom Grid: LKWOBG2118SS.

Cutting Board: CB2213.

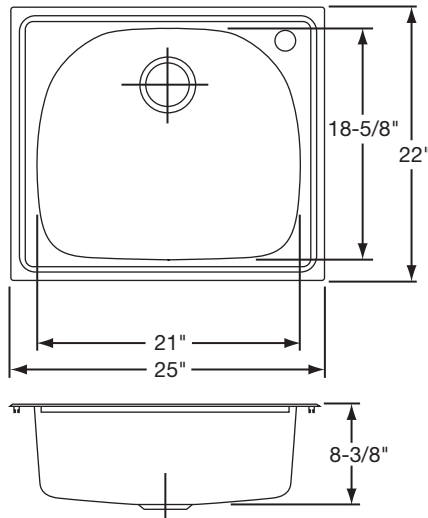
SINK DIMENSIONS (INCHES)*

Model Number	Overall		Inside Bowl			Cutout in Countertop (1 1/2" Radius Corners)		No. of 1 1/2" Dia. Faucet Holes	Minimum Cabinet Size
	L	W	L	W	D	L	W		
ECG2522	25	22	21	18 5/8	8 3/8	24 3/8	21 3/8	1 or 2	30
ECG252210	25	22	21	18 5/8	10 3/8	24 3/8	21 3/8	1 or 2	30

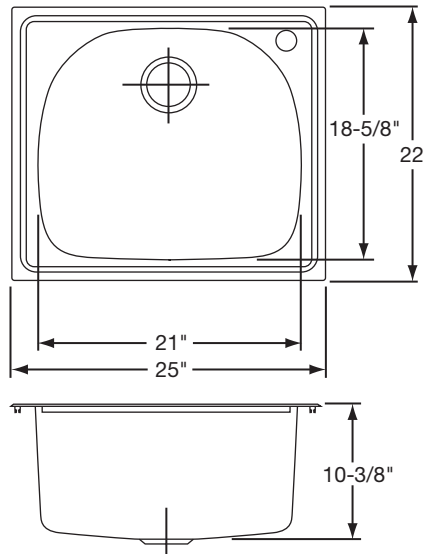
*Length is left to right. Width is front to back.



Model ECG25221

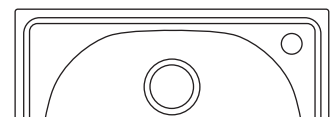


Model ECG25221 Illustrated

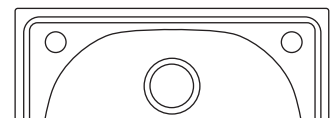


Model ECG2522101 Illustrated

HOLE DRILLING CONFIGURATIONS



1



2

ALL DIMENSIONS IN INCHES, TO CONVERT TO MILLIMETERS MULTIPLY BY 25.4.

In keeping with our policy of continuing product improvement, Elkay reserves the right to change product specifications without notice.

This specification describes an Elkay product with design, quality and functional benefits to the user. When making a comparison of other producers' offerings, be certain these features are not overlooked.