

ELKAY® SPECIFICATIONS

Gourmet® Single Bowl Sink Featuring E-Granite, Universal Mount Models ELG1515 Series

GENERAL

Molded from Elkay E-Granite which is up to 85% natural quartz and high performance acrylic resins. E-Granite is non-porous and resists staining. E-Granite is hard enough to resist scratches and chips, is naturally sound deadened, and heat resistant. The color is solid throughout the sink and is UV resistant to prevent color-fading in indoor applications. Universal mount sinks can be installed as a top mount or undermount. Both types of clips are provided.

DESIGN FEATURES

Bowl Depth: 8" (203mm).

Rim Height: 3/8" (10mm).

Fastening Method: For top mount application, utilize clips (see illustration "A" below). For undermount application, utilize undermount clips (see illustration "B" below).

Material: Elkay E-Granite.

Color Options with natural accents: Black (BK), Bisque (BQ), Mocha (MC) or White (WH).

OTHER

Drain Opening: 3-1/2" (89mm).

Note: All Elkay universal mount sinks are designed to affix to the underside of any solid surface countertop.

These sinks comply with ANSI Z124.6 and CSA B45-02.



These sinks are listed by the International Association of Plumbing and Mechanical Officials as meeting the requirements of the Uniform Plumbing Code and the National Plumbing Code of Canada.

OPTIONAL ACCESSORIES

Drain: LKKDT35, LKD35, LKS35.

Rinsing Basket: LKWRB715SS.

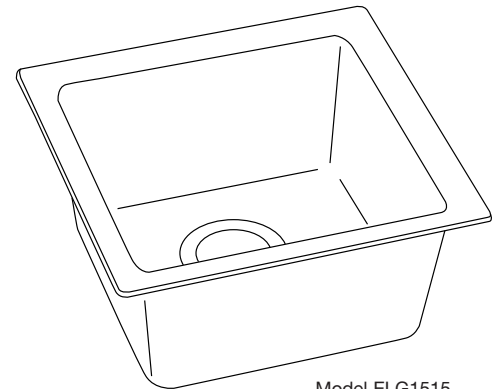
Utensil Caddy for Rinsing Basket: LKWUCSS.

SINK DIMENSIONS*

Model Number	Overall		Inside Bowl			Cutout in Countertop for Top Mount Application Only**		Minimum Cabinet Size
	L	W	L	W	D	L	W	
ELG1515BK	15 ³ / ₄ (400mm)	15 ³ / ₄ (400mm)	13 (330mm)	13 (330mm)	8 (203mm)	Use sink upside down as template and cut 5/16" (8mm) inside sink outline	21 (533mm)	
ELG1515BQ	15 ³ / ₄ (400mm)	15 ³ / ₄ (400mm)	13 (330mm)	13 (330mm)	8 (203mm)			
ELG1515MC	15 ³ / ₄ (400mm)	15 ³ / ₄ (400mm)	13 (330mm)	13 (330mm)	8 (203mm)			
ELG1515WH	15 ³ / ₄ (400mm)	15 ³ / ₄ (400mm)	13 (330mm)	13 (330mm)	8 (203mm)			

*Length is left to right. Width is front to back.

**Template for undermount applications and countertop mounting clips are packed with every sink.



Model ELG1515

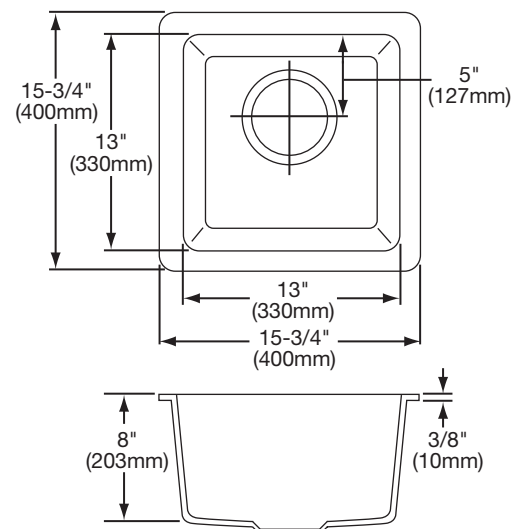


ILLUSTRATION A

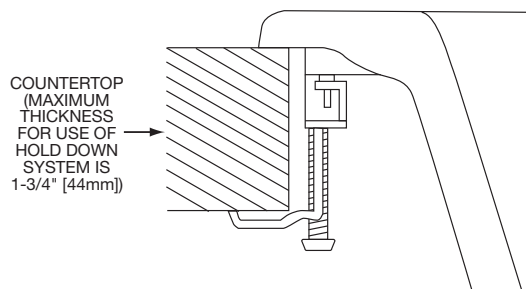
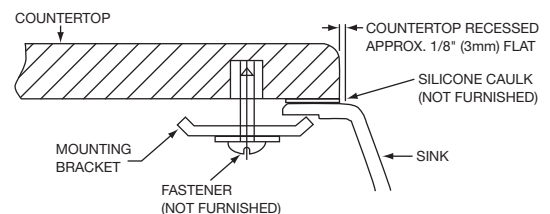


ILLUSTRATION B



In keeping with our policy of continuing product improvement, Elkay reserves the right to change product specifications without notice. Please visit elkayusa.com for most current version of Elkay product specification sheets.

This specification describes an Elkay product with design, quality and functional benefits to the user. When making a comparison of other producers' offerings, be certain these features are not overlooked.