

ELKAY® SPECIFICATIONS

Gourmet® Double Bowl Sink Featuring E-Granite, Top Mount Models ELG250R Series

GENERAL

Molded from Elkay E-Granite which is up to 85% natural quartz and high performance acrylic resins. E-Granite is non-porous and resists staining. E-Granite is hard enough to resist scratches and chips, is naturally sound deadened, and heat resistant. The color is solid throughout the sink and is UV resistant to prevent color-fading in indoor applications. Top mount.

DESIGN FEATURES

Bowl Depth: 9-1/2" (241mm).

Rim Height: 3/8" (10mm).

Material: Elkay E-Granite.

Color Options with natural accents: Black (BK), Bisque (BQ), Mocha (MC) or White (WH).

OTHER

Drain Opening: 3-1/2" (89mm).

Note: Faucet holes are pre-scored for flexible installation. Installer can punch up to 4 faucet holes.

These sinks comply with ANSI Z124.6 and CSA B45-02.



These sinks are listed by the International Association of Plumbing and Mechanical Officials as meeting the requirements of the Uniform Plumbing Code and the National Plumbing Code of Canada.

OPTIONAL ACCESSORIES

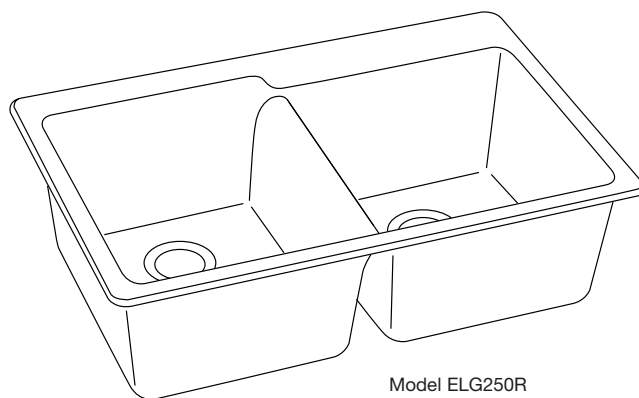
Bottom Grids: LKWOBG1316SS (large bowl), LKWOBG1415SS (small bowl).

Cutting Boards: CBS1418 (large bowl), CBS1316, CB1713 (small bowl).

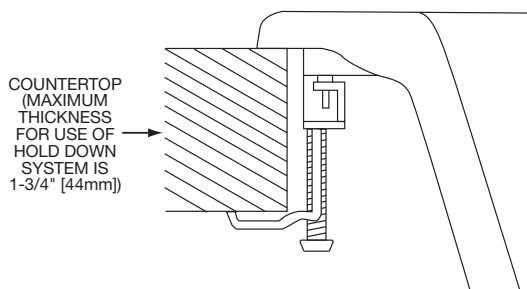
Drains: LKKDT35, LKD35, LKS35.

Rinsing Baskets: LKWRB1316SS, LKWERBSS (large bowl).

Utensil Caddy for Rinsing Basket: LKWUCSS.



Cross Profile of Installation



SEE OTHER SIDE FOR PRODUCT DIMENSIONS.

In keeping with our policy of continuing product improvement, Elkay reserves the right to change product specifications without notice. Please visit elkayusa.com for most current version of Elkay product specification sheets.

This specification describes an Elkay product with design, quality and functional benefits to the user. When making a comparison of other producers' offerings, be certain these features are not overlooked.

Elkay

elkayusa.com

2222 Camden Court
Oak Brook, IL 60523

Printed in U.S.A.
©2008 Elkay

(Rev. 10/08) 1-282A

Gourmet® Double Bowl Sink
Featuring E-Granite, Top Mount
Models ELG250R Series

ELKAY®
SPECIFICATIONS

SINK DIMENSIONS*

Model Number	Overall		Inside Left Bowl			Inside Right Bowl			Cutout in Countertop		No. of Pre-scored 1 1/2" (38mm) Dia. Faucet Holes 4" (102mm) Centers	Minimum Cabinet Size
	L	W	L	W	D	L	W	D	L	W		
ELG250RBK	33 (838mm)	22 (559mm)	15 1/8 (384mm)	18 1/8 (460mm)	9 1/2 (241mm)	15 1/4 (387mm)	16 1/8 (410mm)	9 1/2 (241mm)	Use sink upside down as template and cut 5/16" (8mm) inside sink outline	4	36 (914mm)	
ELG250RBQ	33 (838mm)	22 (559mm)	15 1/8 (384mm)	18 1/8 (460mm)	9 1/2 (241mm)	15 1/4 (387mm)	16 1/8 (410mm)	9 1/2 (241mm)				
ELG250RMC	33 (838mm)	22 (559mm)	15 1/8 (384mm)	18 1/8 (460mm)	9 1/2 (241mm)	15 1/4 (387mm)	16 1/8 (410mm)	9 1/2 (241mm)				
ELG250RWH	33 (838mm)	22 (559mm)	15 1/8 (384mm)	18 1/8 (460mm)	9 1/2 (241mm)	15 1/4 (387mm)	16 1/8 (410mm)	9 1/2 (241mm)				

*Length is left to right. Width is front to back.

