

ELKAY® SPECIFICATIONS

Lustertone® Double Bowl Sinks Models LR250L, LR250 and LRQ250 Models LRAD250 and LRADQ250 – A.D.A. Compliant

GENERAL

Highest quality sink formed of #18 (1.2mm) gauge, type 304 (18-8) nickel bearing stainless steel. Self-rimming.

DESIGN FEATURES

LR(Q) Bowl Depth: 7-7/8" (200mm).

LRAD(Q) Bowl Depth: 5-1/2" (140mm), 6" (152mm) or 6-1/2" (165mm).

Coved Corners: 1-3/4" (44mm) vertical and horizontal radius.

Bowl and Faucet Deck Recess: 3/16" (5mm) below outside edge of sink.

Finish: Exposed surfaces are hand blended to a lustrous highlighted satin finish.

Underside: Fully undercoated to dampen sound and prevent condensation. LR(Q)250(L) underside is fully protected by heavy duty Sound Guard® undercoating.

These sinks comply with AMSE A112.19.3.

OTHER

LR250L, LR(Q)250 and LRAD(Q)250 drain openings are 3-1/2" (89mm) and located as illustrated. Note LRAD(Q)250 small bowl drain is located centered left-to-right and off-center front-to-back as illustrated. Suffix L (left) or R (right) denotes location of the small bowl.

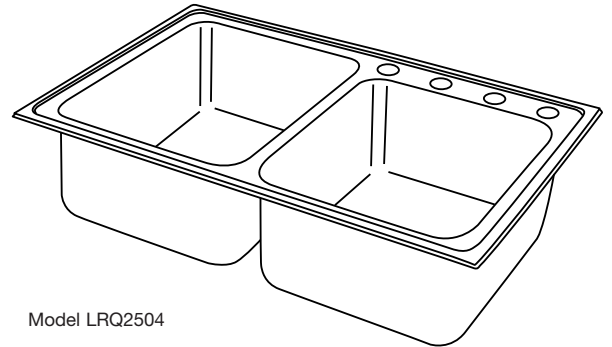
NOTE: Unless otherwise specified, sink is furnished with 4 faucet holes as shown.

OPTIONAL ACCESSORIES

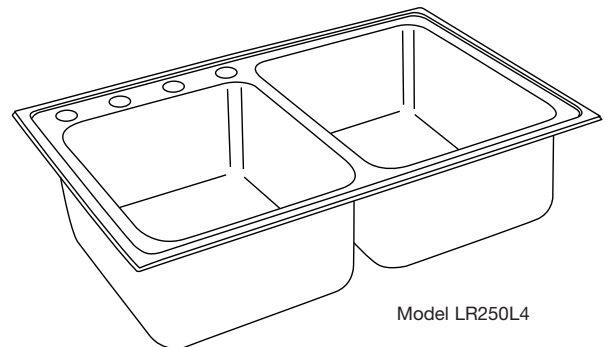
Rinsing Baskets: LKWRB1418SS (large bowl), LKWRB1316SS (small bowl), LKWERBSS (either bowl).

Bottom Grids: LKWBG1316SS [LR(Q)250(L)] (small bowl), LKWOBG1316SS [LRAD(Q)250] (small bowl).

Cutting Boards: CB1613 (small bowl), CB1713 (small bowl), CBR1316 (small bowl), CBR1418 (large bowl), CBS1316 (small bowl), or CBS1418 (large bowl).



Model LRQ2504



Model LR250L4

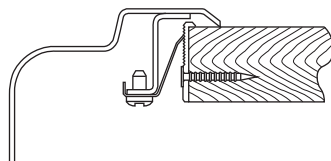
SINK DIMENSIONS*

U-Channel Model Number	Quick-Clip® Model Number	Overall		Inside Left Bowl			Inside Right Bowl			Cutout in Countertop (1 1/2" [38mm] Radius Corners)		No. of Faucet Holes 4" (102mm) Center	Minimum Cabinet Size
		L	W	L	W	D	L	W	D	L	W		
LR250	LRQ250	33 (838mm)	22 (559mm)	14 (356mm)	18 (457mm)	7 7/8 (200mm)	13 1/2 (343mm)	16 (406mm)	7 7/8 (200mm)	32 3/8 (822mm)	21 3/8 (543mm)	1, 2, S2, 3 or 4	36 (914mm)
LRAD250	LRADQ250	33 (838mm)	22 (559mm)	14 (356mm)	18 (457mm)	**	13 1/2 (343mm)	16 (406mm)	**	32 3/8 (822mm)	21 3/8 (543mm)	1, 2, S2, 3 or 4	36 (914mm)
LR250L	-	33 (838mm)	22 (559mm)	13 1/2 (343mm)	16 (406mm)	7 7/8 (200mm)	14 (356mm)	18 (457mm)	7 7/8 (200mm)	32 3/8 (822mm)	21 3/8 (543mm)	1, 2, S2, 3 or 4	36 (914mm)

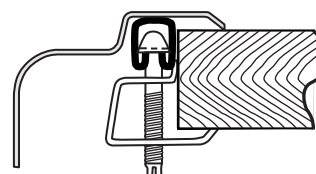
*Length is left to right. Width is front to back.

**Available in 5-1/2" (140mm), 6" (152mm) and 6-1/2" (165mm) depths. Please consult your sales representative for other depths or modifications.

Quick-Clip® Mounting System



U-Channel Type Mounting System



THIS PRODUCT, AS CONSTRUCTED IS SUBJECT TO INTERPRETATION OF A.D.A. REQUIREMENTS. THE UNOBSTRUCTED KNEE SPACE REQUIRED TO SATISFY A.D.A. STANDARDS MAY NOT BE DESIRABLE.

SEE OTHER SIDE FOR PRODUCT DIMENSIONS.

In keeping with our policy of continuing product improvement, Elkay reserves the right to change product specifications without notice. Please visit elkayusa.com for most current version of Elkay product specification sheets.

This specification describes an Elkay product with design, quality and functional benefits to the user. When making a comparison of other producers' offerings, be certain these features are not overlooked.

Elkay

elkayusa.com

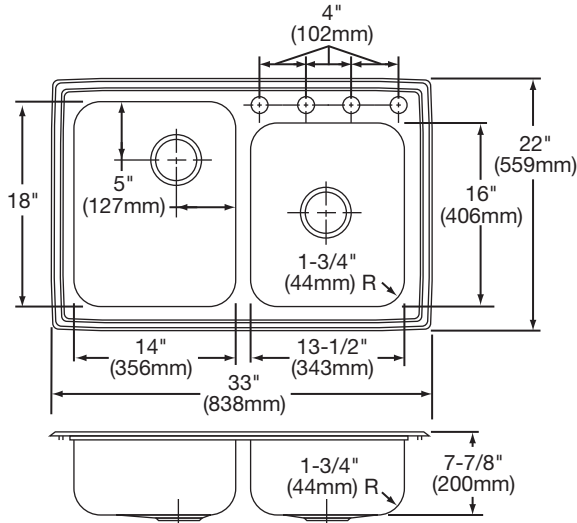
2222 Camden Court
Oak Brook, IL 60523

Printed in U.S.A.
©2008 Elkay

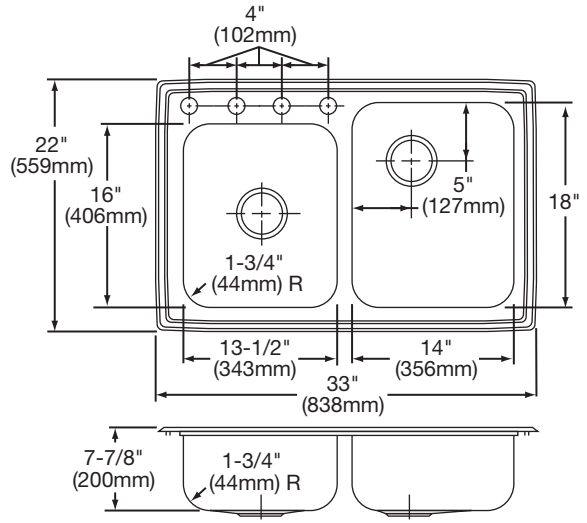
(Rev. 9/08) 1-59I

Lustertone® Double Bowl Sinks
Models LR250L, LR250 and LRQ250
Models LRAD250 and LRADQ250 – A.D.A. Compliant

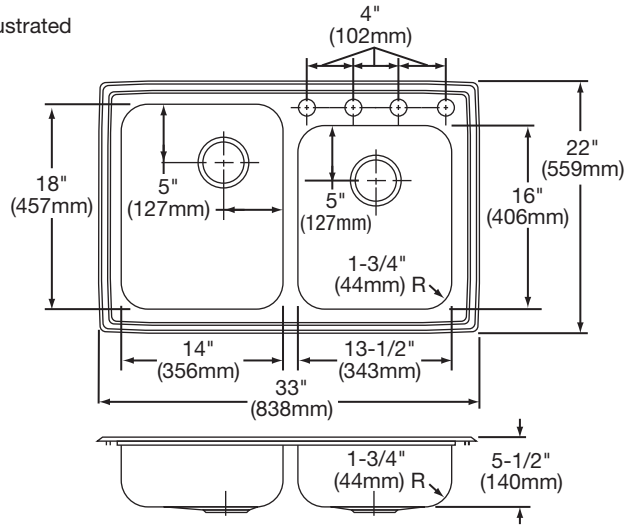
ELKAY®
SPECIFICATIONS



Model LR(Q)2504 Illustrated



Model LR250L4 Illustrated



Model LRAD(Q)250554 Illustrated

HOLE DRILLING CONFIGURATIONS

