

**Traditional Gourmet  
Double Bowl  
Model LGR3322**



**SPECIFICATIONS**

**GENERAL**

Highest quality. Sink bowls are seamlessly drawn of #18 gauge, type 304 (18-8) nickel bearing stainless steel. Self-rimming.

**DESIGN FEATURES**

Bowl Depths: 10" (Left Bowl), 8" (Right Bowl).  
 Bowl and Faucet Deck Recessed: 3/16" below outside edge of sink.  
 Coved Corners: 1-3/4" radius.  
 Finish: Exposed surfaces are hand blended to a lustrous high-lighted Lasting Beauty satin finish.  
 Underside: Fully protected by heavy duty Sound Guard™ under-coating to prevent condensation and deaden sound.

**OTHER**

Drain Opening: 3-1/2".  
 Recommended Sink Base: 36".

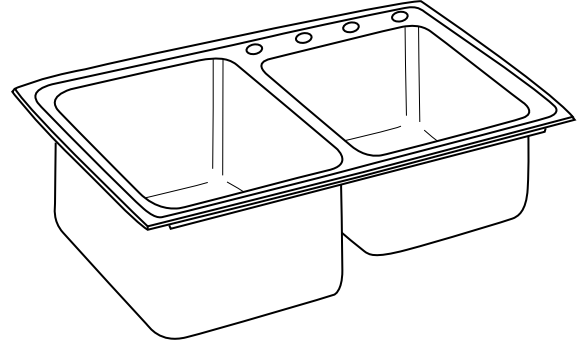
**OPTIONAL ACCESSORIES**

Rinsing Baskets: LKRB1614, LKRB1611, LKERBSS and VB1816.  
 Bottom Grids: LKOBG1814 and LKOBG1613.  
 Cutting Boards: CBR1418, CBR1316, CBS1418, CBS1316, CB1613, CB1713, CBT1613 and CBT1713.

These sinks comply with ANSI Standard A112.19.3M.



These sinks are listed by the International Association of Plumbing and Mechanical Officials as meeting the requirements of the Uniform Plumbing Code.

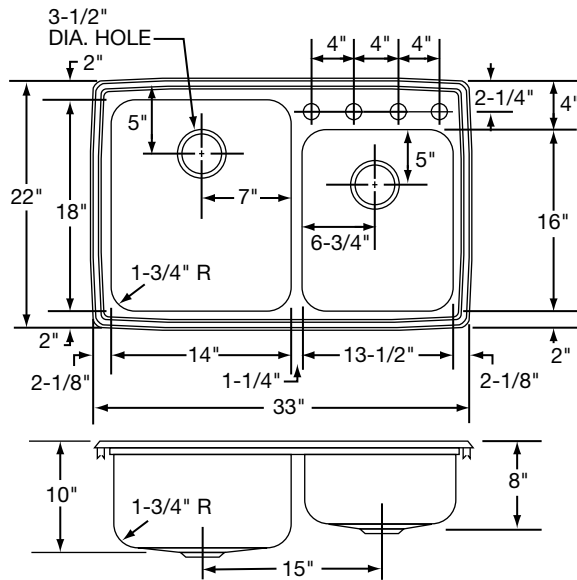


Model LGR33224

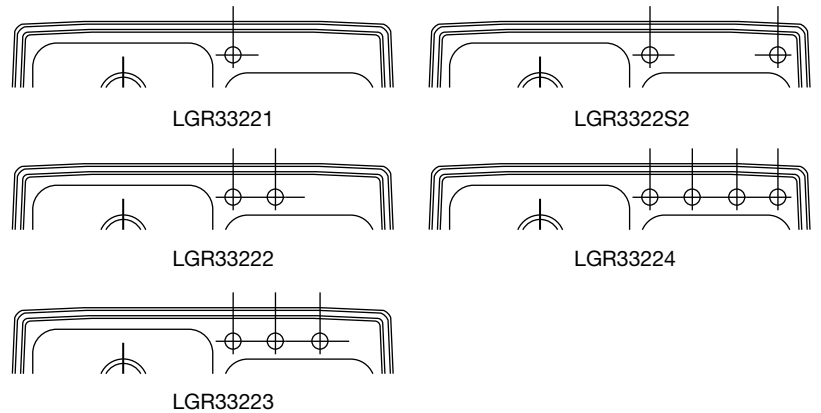
**SINK DIMENSIONS (INCHES)\***

Model Number	Overall		Inside Left Bowl			Inside Right Bowl			Cutout in Countertop (1 1/2" Radius Corners)		Number of 1 1/2" Dia. Faucet Holes 4" Center	Ship. Wt. Lbs.
	L	W	L	W	D	L	W	D	L	W		
LGR3322	33	22	14	18	10	13 1/2	16	8	32 3/8	21 3/8	1, 2, 3 or 4	25

\*Length is left to right. Width is front to back.



**HOLE DRILLING CONFIGURATIONS**



ALL DIMENSIONS IN INCHES, TO CONVERT TO MILLIMETERS MULTIPLY BY 25.4.

*In keeping with our policy of continuing product improvement, Elkay reserves the right to change product specifications without notice.*

*This specification describes an Elkay product with design, quality and functional benefits to the user. When making a comparison of other producers' offerings, be certain these features are not overlooked.*