

ELKAY® SPECIFICATIONS

Lustertone® Deep Double Bowl Sink Models DLR and DLRQ Series

GENERAL

Highest quality sink bowls seamlessly formed of #18 gauge, type 304 (18-8) nickel bearing stainless steel. Self-rimming.

DESIGN FEATURES

Bowl Depths: 10" [DLR291810]; 10-1/8" [all others]; 12-1/8" [DLR(Q)332212 and DLR(Q)432212].

Coved Corners: 1-3/4" vertical and horizontal radius.

Bowl and Faucet Deck Recess: 3/16" below outside edge of sink.

Finish: Exposed surfaces are hand blended to a lustrous highlighted satin finish.

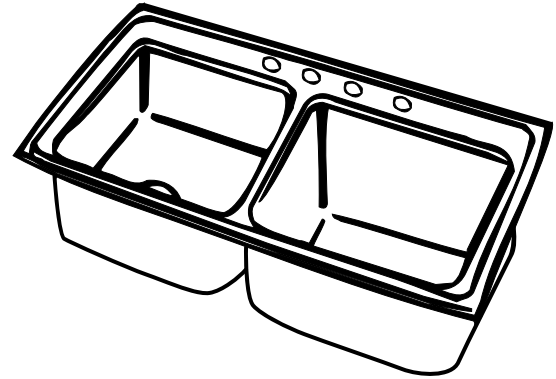
Underside: Fully undercoated to dampen sound and prevent condensation.

OTHER

Drain Opening: 3-1/2".

NOTE: Unless otherwise specified, sink is furnished with 4 faucet holes as shown.

These sinks comply with ANSI Standard A112.19.3M.



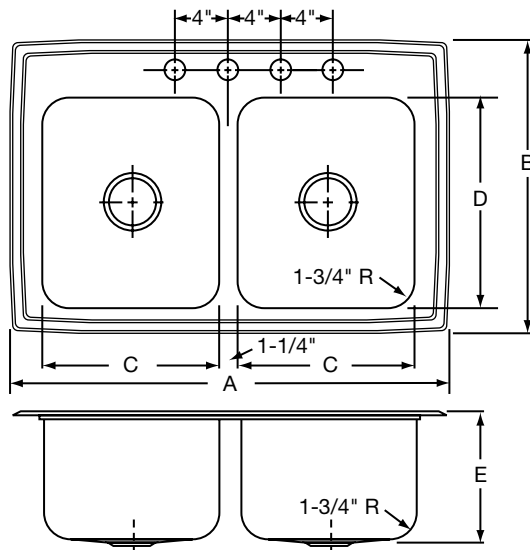
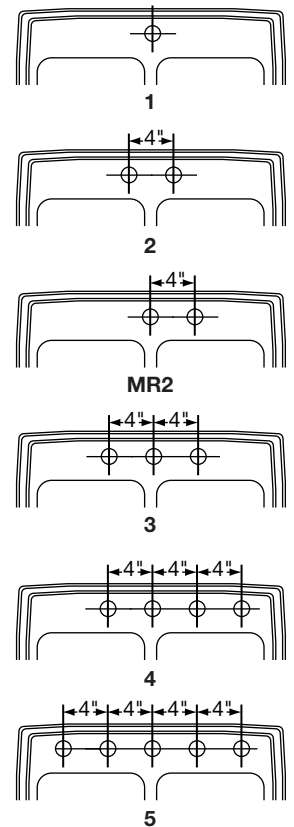
Model DLR(Q)3322104

SINK DIMENSIONS (INCHES)*

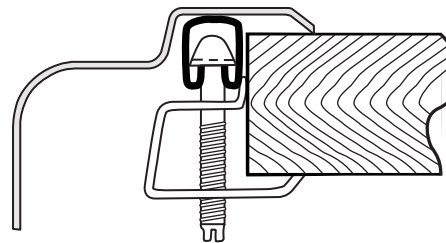
U-Channel Model Number	Quick-Clip® Model Number	Overall		Inside Each Bowl			Cutout in Countertop (1 1/2" Radius Corners)		No. of 1 1/2" Dia. Faucet Holes 4" Center	Minimum Cabinet Size	Ship. Wt. Lbs.
		L	W	L	W	D	L	W			
DLR251910	-	25	19 1/2	10	14	10 1/8	24 3/8	18 7/8	1, 2, MR2, 3, 4 or 5	30	23
DLR291810	-	29	18	12	12	10	28 3/8	17 3/8	1, 2, MR2, 3, 4 or 5	33	22
DLR331910	DLRQ331910	33	19 1/2	14	14	10 1/8	32 3/8	18 7/8	1, 2, MR2, 3, 4 or 5	36	23
DLR332210	DLRQ332210	33	22	13 1/2	16	10 1/8	32 3/8	21 3/8	1, 2, MR2, 3, 4 or 5	36	24 3/4
DLR332212	DLRQ332212	33	22	13 1/2	16	12 1/8	32 3/8	21 3/8	1, 2, MR2, 3, 4 or 5	36	24 3/4
DLR372210	DLRQ372210	37	22	16	16	10 1/8	36 3/8	21 3/8	1, 2, MR2, 3, 4 or 5	42	29
DLR432210	DLRQ432210	43	22	19	16	10 1/8	42 3/8	21 3/8	1, 2, MR2, 3, 4 or 5	48	32 3/4
DLR432212	DLRQ432212	43	22	19	16	12 1/8	42 3/8	21 3/8	1, 2, MR2, 3, 4 or 5	48	32 3/4

*Length is left to right. Width is front to back.

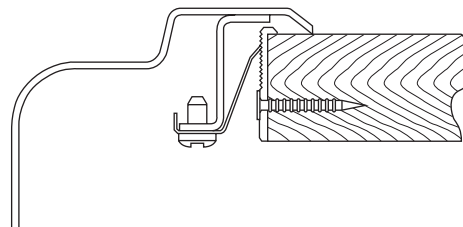
HOLE DRILLING CONFIGURATIONS



U-Channel Type Mounting System



Quick-Clip® Mounting System



ALL DIMENSIONS IN INCHES, TO CONVERT TO MILLIMETERS MULTIPLY BY 25.4.

In keeping with our policy of continuing product improvement, Elkay reserves the right to change product specifications without notice.

This specification describes an Elkay product with design, quality and functional benefits to the user. When making a comparison of other producers' offerings, be certain these features are not overlooked.