

# ELKAY® SPECIFICATIONS

## Gourmet® Deep Single Bowl Sink Models DLR and DLRQ, DLRS and DLRSQ Series

### GENERAL

Highest quality sink formed of #18 (1.2mm) gauge, type 304 (18-8) nickel bearing stainless steel. Top mount.

### DESIGN FEATURES

Bowl Depth: See chart on next page.

Coved Corners: 1-3/4" (44mm) vertical and horizontal radius.

Bowl and Faucet Deck Recess: 3/16" (9mm) below outside edge of sink.

Finish: Exposed surfaces are hand blended to a lustrous satin finish.

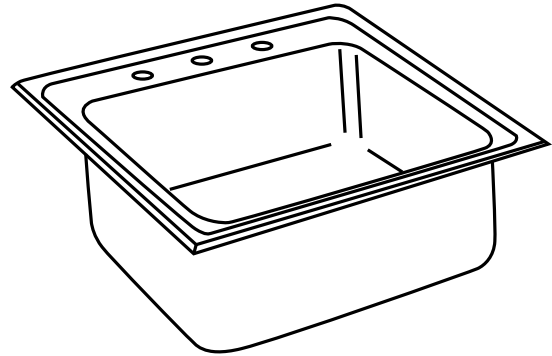
Underside: Fully undercoated to dampen sound and prevent condensation. DLR(Q)191910 and DLR252110 underside is fully protected by heavy duty Sound Guard® undercoating.

### OTHER

Drain Opening: 3-1/2" (89mm).

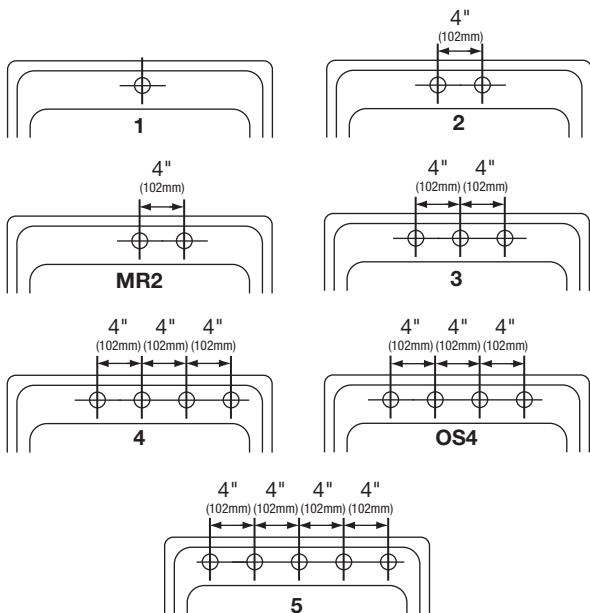
NOTE: Unless otherwise specified, sink is furnished with 3 faucet holes as shown.

These sinks comply with ASME A112.19.3.

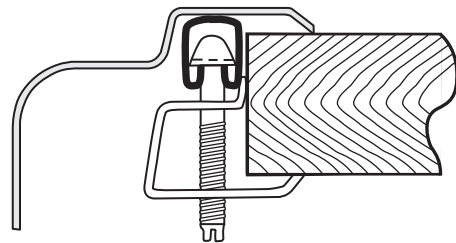


Model DLR(Q)2522103

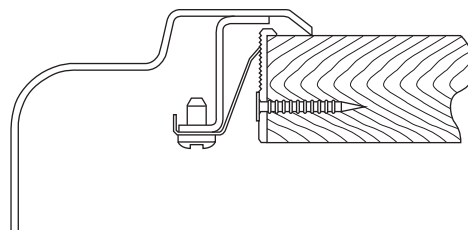
### HOLE DRILLING CONFIGURATIONS



### U-Channel Type Mounting System



### Quick-Clip® Mounting System



SEE OTHER SIDE FOR PRODUCT DIMENSIONS.

*In keeping with our policy of continuing product improvement, Elkay reserves the right to change product specifications without notice. Please visit [elkayusa.com](http://elkayusa.com) for most current version of Elkay product specification sheets.*

*This specification describes an Elkay product with design, quality and functional benefits to the user. When making a comparison of other producers' offerings, be certain these features are not overlooked.*

**Elkay**

[elkayusa.com](http://elkayusa.com)

2222 Camden Court  
Oak Brook, IL 60523

Printed in U.S.A.  
©2008 Elkay

(Rev. 7/08) 1-18I

**Gourmet® Deep Single Bowl Sink**  
**Models DLR and DLRQ, DLRS and DLRSQ Series**

**ELKAY®**  
**SPECIFICATIONS**

**SINK DIMENSIONS\***

U-Channel Model Number	Quick-Clip® Model Number	Overall		Inside Bowl			Cutout in Countertop [1 1/2" (38mm) Radius Corners]		No. of 1 1/2" (38mm) Dia. Faucet Holes 4" (102mm) Center	Minimum Cabinet Size
		L	W	L	W	D	L	W		
		A	B	C	D	E	L	W		
DLR151710	-	15 (381mm)	17 1/2 (445mm)	12 (305mm)	12 (305mm)	10 (254mm)	14 3/8 (365mm)	16 7/8 (429mm)	1, 2, MR2, 3	18 (457mm)
DLR171610	DLRQ171610	17 (432mm)	16 (406mm)	14 (356mm)	10 (254mm)	10 1/8 (257mm)	16 3/8 (416mm)	15 3/8 (391mm)	1, 2, MR2, 3, OS4	21 (533mm)
DLR172010	DLRQ172010	17 (432mm)	20 (508mm)	14 (356mm)	14 (356mm)	10 1/8 (257mm)	16 3/8 (416mm)	19 3/8 (492mm)	1, 2, MR2, 3, OS4	21 (533mm)
DLR172210	DLRQ172210	17 (432mm)	22 (559mm)	13 1/2 (343mm)	16 (406mm)	10 1/8 (257mm)	16 3/8 (416mm)	21 3/8 (543mm)	1, 2, MR2, 3, OS4	21 (533mm)
DLR191910	DLRQ191910	19 1/2 (495mm)	19 (483mm)	16 (406mm)	13 1/2 (343mm)	10 1/8 (257mm)	18 7/8 (479mm)	18 3/8 (467mm)	1, 2, MR2, 3, OS4	24 (610mm)
DLR202210	DLRQ202210	19 1/2 (495mm)	22 (559mm)	16 (406mm)	16 (406mm)	10 1/8 (257mm)	18 7/8 (479mm)	21 3/8 (543mm)	1, 2, MR2, 3, OS4	24 (610mm)
DLR221910	DLRQ221910	22 (559mm)	19 1/2 (495mm)	18 (457mm)	14 (356mm)	10 1/8 (257mm)	21 3/8 (543mm)	18 7/8 (479mm)	1, 2, MR2, 3, 4, 5	27 (686mm)
DLR222210	DLRQ222210	22 (559mm)	22 (559mm)	19 (483mm)	16 (406mm)	10 1/8 (257mm)	21 3/8 (543mm)	21 3/8 (543mm)	1, 2, MR2, 3, 4, 5	27 (686mm)
DLR222212	DLRQ222212	22 (559mm)	22 (559mm)	19 (483mm)	16 (406mm)	12 1/8 (308mm)	21 3/8 (543mm)	21 3/8 (543mm)	1, 2, MR2, 3, 4, 5	27 (686mm)
DLR252110	-	25 (635mm)	21 1/4 (540mm)	21 (533mm)	15 3/4 (400mm)	10 1/8 (257mm)	24 3/8 (619mm)	20 5/8 (524mm)	1, 2, MR2, 3, 4, 5	30 (762mm)
DLR252210	DLRQ252210	25 (635mm)	22 (559mm)	21 (533mm)	15 3/4 (400mm)	10 1/8 (257mm)	24 3/8 (619mm)	21 3/8 (543mm)	1, 2, MR2, 3, 4, 5	30 (762mm)
DLR252212	DLRQ252212	25 (635mm)	22 (559mm)	21 (533mm)	15 3/4 (400mm)	12 1/8 (308mm)	24 3/8 (619mm)	21 3/8 (543mm)	1, 2, MR2, 3, 4, 5	30 (762mm)
DLR312210	DLRQ312210	31 (787mm)	22 (559mm)	28 (711mm)	16 (406mm)	10 1/8 (257mm)	30 3/8 (772mm)	21 3/8 (543mm)	1, 2, MR2, 3, 4, 5	36 (914mm)
DLR312212	DLRQ312212	31 (787mm)	22 (559mm)	28 (711mm)	16 (406mm)	11 5/8 (295mm)	30 3/8 (772mm)	21 3/8 (543mm)	1, 2, MR2, 3, 4, 5	36 (914mm)
DLRS332210	DLRSQ332210	33 (838mm)	22 (559mm)	28 (711mm)	16 (406mm)	10 1/8 (257mm)	32 3/8 (822mm)	21 3/8 (543mm)	1, 2, MR2, 3, 4, 5	36 (914mm)
DLRS332212	-	33 (838mm)	22 (559mm)	28 (711mm)	16 (406mm)	11 5/8 (295mm)	32 3/8 (822mm)	21 3/8 (543mm)	1, 2, MR2, 3, 4, 5	36 (914mm)

\*Length is left to right. Width is front to back.

