

ELKAY[®]

SPECIFICATIONS

Gourmet[®] Undermount Single Bowl Sink Models EGUH2816R and EGUH281610R

GENERAL

Fine quality sink formed of #18 (1.2mm) gauge, type 304 nickel bearing stainless steel.

DESIGN FEATURES

Bowl Depth: 8" (203mm) (EGUH2816R); 10" (254mm) (EGUH281610R).

Coved Corners: 3" (76mm) vertical and 2-1/4" (57mm) horizontal radius.

Finish: Exposed surfaces are polished to a non-directional soft satin finish.

Underside: Fully protected by heavy duty Sound Guard[®] undercoating to dampen sound and prevent condensation.

OTHER

Drain Opening: 3-1/2" (89mm) positioned in the right rear corner of sink.

Note: All Elkay undermount sinks are designed to affix to the underside of any solid surface countertop.

These sinks comply with ASME A112.19.3.



These sinks are listed by the International Association of Plumbing and Mechanical Officials as meeting the requirements of the Uniform Plumbing Code.

OPTIONAL ACCESSORIES

Rinsing Baskets: LKWERBSS.

Utensil Caddy for Rinsing Basket: LKWUCSS.

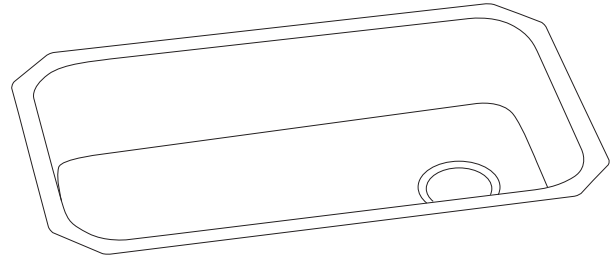
Cutting Board: CB1516.

SINK DIMENSIONS*

Model Number	Overall		Inside Bowl			Cutout in Countertop	Minimum Cabinet Size
	L	W	L	W	D		
EGUH2816R	30 1/2" (775mm)	18 1/4" (464mm)	28" (711mm)	15 3/4" (400mm)	8" (203mm)	See Template**	36" (914mm)
EGUH281610R	30 1/2" (775mm)	18 1/4" (464mm)	28" (711mm)	15 3/4" (400mm)	10" (254mm)		36" (914mm)

*Length is left to right. Width is front to back.

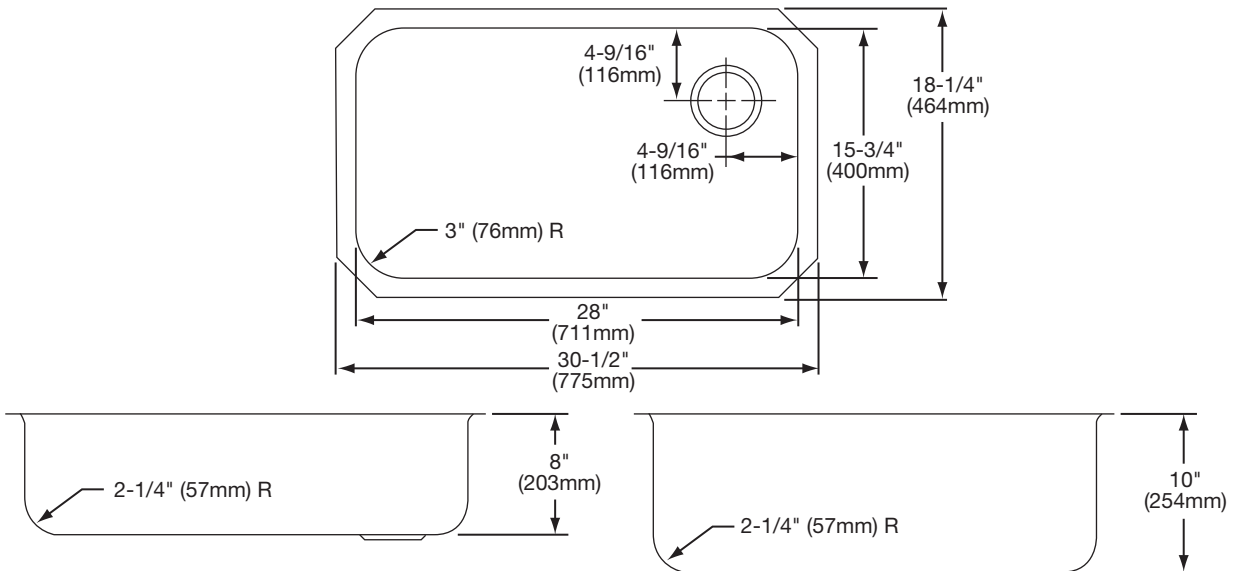
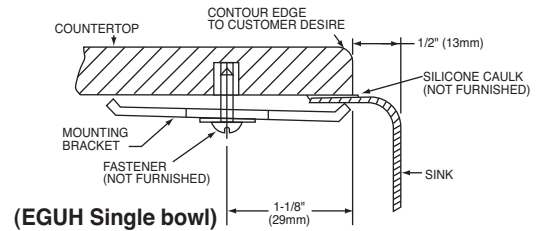
**Template and countertop mounting clips are packed with every sink.



Model EGUH2816R

Installation Profile of EGUH Single Bowl Models

The template provided with each EGUH sink provides the only type of installation recommended by Elkay.



Model EGUH2816R Illustrated

Model EGUH281610R Illustrated

In keeping with our policy of continuing product improvement, Elkay reserves the right to change product specifications without notice. Please visit elkayusa.com for most current version of Elkay product specification sheets.

This specification describes an Elkay product with design, quality and functional benefits to the user. When making a comparison of other producers' offerings, be certain these features are not overlooked.