

ELKAY® SPECIFICATIONS

Celebrity Classique® Double Bowl Model ECC3322

GENERAL

Good quality sink bowls seamlessly formed of #20 gauge, type 304 (18-8) nickel bearing stainless steel. Self-rimming.

DESIGN FEATURES

Bowl Depth: 7-1/2".

Coved Corners: 3" vertical radius.

Bowl and Faucet Deck Recess: 1/2" total recess below rim - 1/8" recess for styled faucet deck configuration and 3/8" for the extra deep drop ledge.

Finish: Exposed surfaces are machine polished to a highlighted bright Celebrity finish.

Underside: Fully undercoated to dampen sound and prevent condensation.

OTHER

Drain Opening: 3-1/2".

Note: Unless otherwise specified, sink is furnished with 4 faucet holes as illustrated.

OPTIONAL ACCESSORIES

Rinsing Baskets: LKERBSS and LKRB1611.

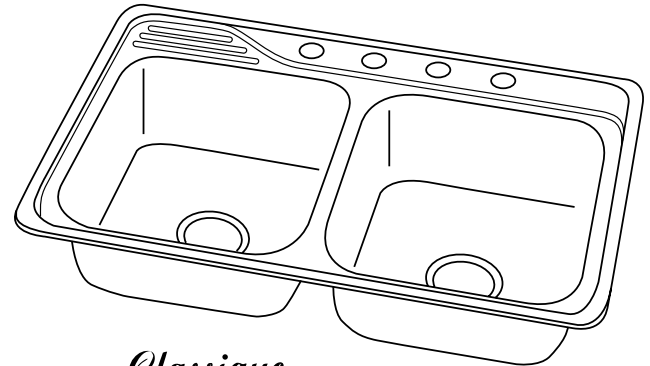
Cutting Board: CB1516.

Bottom Grid: LKBG1416.

This sink complies with ANSI Standard A112.19.3M.



This sink is listed by the International Association of Plumbing and Mechanical Officials as meeting the requirements of the Uniform Plumbing Code.



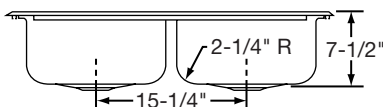
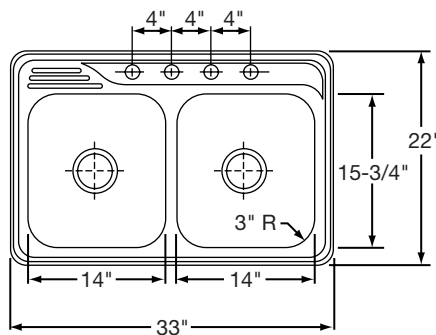
Classique
by **ELKAY**

Model ECC33224

SINK DIMENSIONS (INCHES)*

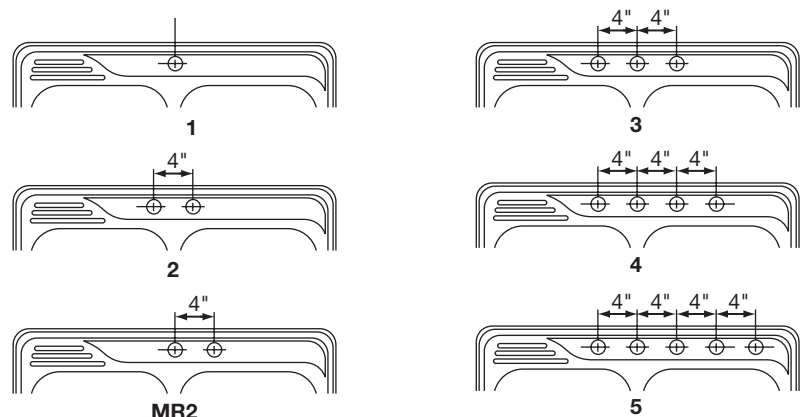
Model Number	Overall		Inside Each Bowl			Cutout in Countertop (1 1/2" Radius Corners)		No. of 1 1/2" Dia. Faucet Holes 4" Centers	Minimum Cabinet Size	Ship. Wt. Lbs.
	L	W	L	W	D	L	W			
ECC3322	33	22	14	15 3/4	7 1/2	32 3/8	21 3/8	1, 2, MR2, 3, 4 or 5	36	18

*Length is left to right. Width is front to back.



Model ECC33224 Illustrated

HOLE DRILLING CONFIGURATIONS



ALL DIMENSIONS IN INCHES, TO CONVERT TO MILLIMETERS MULTIPLY BY 25.4.

In keeping with our policy of continuing product improvement, Elkay reserves the right to change product specifications without notice.

This specification describes an Elkay product with design, quality and functional benefits to the user. When making a comparison of other producers' offerings, be certain these features are not overlooked.