

**Celebrity® Double Bowl Sink
Models CR3321 and CR4322**



SPECIFICATIONS

GENERAL

Good quality double bowl Celebrity sink is seamlessly drawn of #20 gauge, type 304 (18-8) nickel bearing stainless steel. Self-rimming.

DESIGN FEATURES

- Bowl Depth: 7".
- Coved Corners: 3" radius.
- Bowl and Faucet Deck Recess: 3/16" below outside edge of sink.
- Finish: Exposed surfaces machine polished to a lustrous, high-lighted Celebrity bright finish.
- Underside: Fully undercoated.

OTHER

- Drain Opening: 3-1/2".
- Faucet Holes: 1, 2, 3, 4 or 5 holes as indicated. 4" center to center.
- Note: Unless otherwise specified, sink is furnished with four faucet holes as shown.
- Recommended Sink Base:
For CR3322 – 36". For CR4322 – 48".

OPTIONAL ACCESSORIES

- Rinsing Baskets: LKRB1611 (CR3321), LKRB1614 (CR4322), LKERBSS (CR3321 and CR4322).
- Cutting Board: CB1516 (CR3321).

These sinks comply with ANSI Standard A112.19.3M.



These sinks are listed by the International Association of Plumbing and Mechanical Officials as meeting the requirements of the Uniform Plumbing Code.

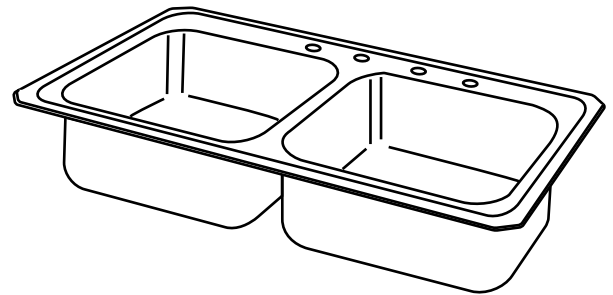


Model CR3321 is listed with the Canadian Standards Association.

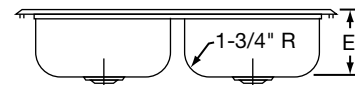
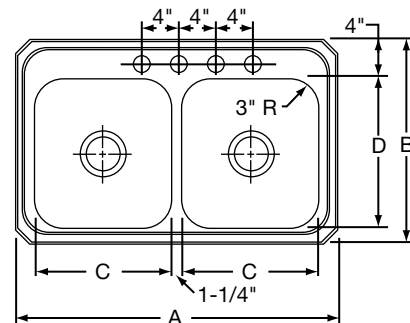
SINK DIMENSIONS (INCHES)*

Model Number	Overall		Inside Each Bowl			Cutout in Countertop (1 1/2" Radius Corners)		No. of 1 1/2" Dia. Faucet Holes 4" Centers	Ship. Wt. Lbs.
	L	W	L	W	D	L	W		
	A	B	C	D	E	L	W		
CR3321	33	21 1/4	14	15 3/4	7	32 3/8	20 5/8	1, 2, 3, 4 or 5	15 1/4
CR4322	43	22	19	15 3/4	7	42 3/8	21 3/8	1, 2, 3, 4 or 5	20

*Length is left to right. Width is front to back.



Model CR3321



Model CR3321 Illustrated

ALL DIMENSIONS IN INCHES, TO CONVERT TO MILLIMETERS MULTIPLY BY 25.4.

In keeping with our policy of continuing product improvement, Elkay reserves the right to change product specifications without notice.

This specification describes an Elkay product with design, quality and functional benefits to the user. When making a comparison of other producers' offerings, be certain these features are not overlooked.