

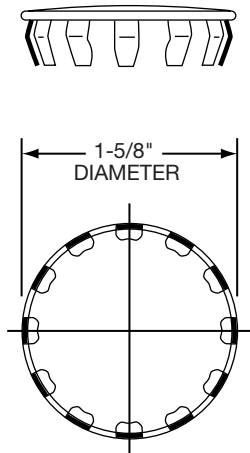
ELKAY® SPECIFICATIONS

Sink Accessories Faucet Hole Covers Models LK125A and LK126

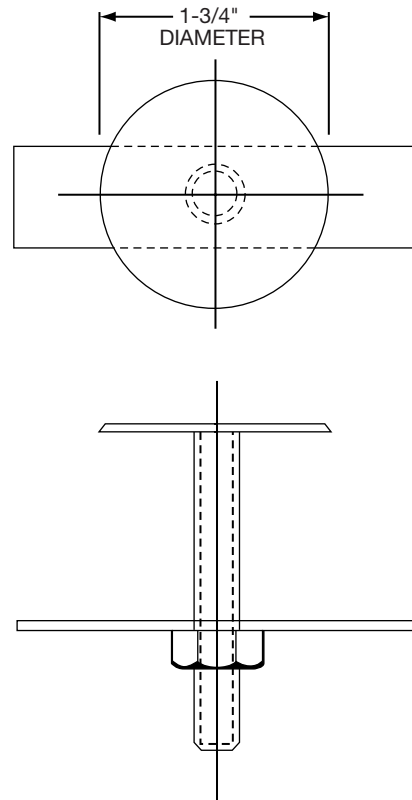
GENERAL

LK125A: Chrome finish faucet hole cover intended to “snap in”. Designed to fit 1-1/2" diameter hole. Overall size of 1-5/8". Ship. Wt. 1/4 lb.

LK126: Brushed stainless steel faucet hole cover intended to attach with fastener and bracket. Designed to fit any hole size from 1/2" to 1-9/16". Overall size of 1-3/4". Ship. Wt. 1/4 lb.



Model LK125A Illustrated



Model LK126 Illustrated

ALL DIMENSIONS IN INCHES. TO CONVERT TO MILLIMETERS, MULTIPLY BY 25.4.

In keeping with our policy of continuing product improvement, Elkay reserves the right to change product specifications without notice.

This specification describes an Elkay product with design, quality and functional benefits to the user. When making a comparison of other producers' offerings, be certain these features are not overlooked.