

GENERAL

Cabinet: The stainless steel cabinet completes the sweep of stainless steel from sink to floor. Composite construction with stainless steel clad doors, front panel and lower kick plate. Front panel features tilt-out bin. 36" cabinet features triple hinge doors; 48" cabinet features quadruple hinged doors. Available with or without towel bar mounting holes on front panel. Includes stylish cabinet door handles in choice of chrome or chrome/gold accented finish.

Front Panel: Comes with cabinet or available separately for direct mounting to existing kitchen cabinet. Composite construction with stainless steel cladding. Features tilt-out bin. Available with or without towel bar mounting holes.

Towel Bar: Optional. Ordered separately. See illustrations on back for mounting options. Choice of chrome or chrome/gold finish.

MODELS/DIMENSIONS

Cabinet (Includes Front Panel)	L to R (inches)	Width (inches)	Includes Towel Bar Mounting Holes*	Includes Chrome Finish Door Handles	Includes Chrome/Gold Finish Door Handles
36EGCABTH*	36	24	X	X	
36EGCABTHD*	36	24	X		X
36EGCABH	36	24		X	
36EGCABHD	36	24			X
48EGCABTH*	48	24	X	X	
48EGCABTHD*	48	24	X		X
48EGCABH	48	24		X	
48EGCABHD	48	24			X

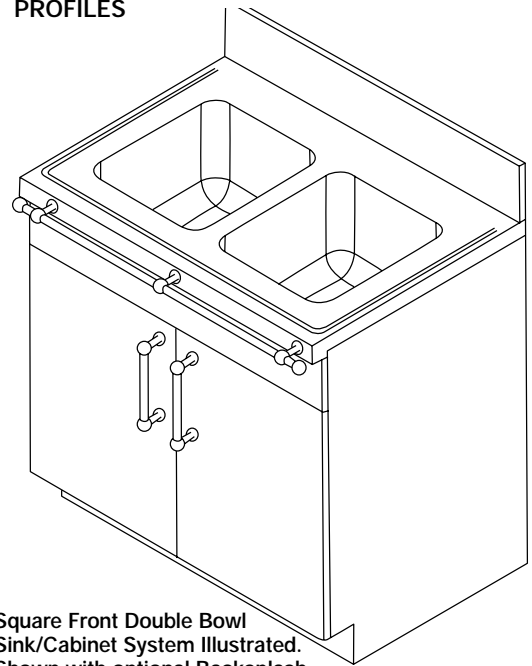
* Towel bar not included. Towel bar must be ordered separately.

Front Panel Only	L to R (inches)	Height (inches)	Includes Towel Bar Mounting Holes*
36EGFRONTT*	36	5 ³ / ₈	X
36EGFRONT	36	5 ³ / ₈	
48EGFRONTT*	48	5 ³ / ₈	X
48EGFRONT	48	5 ³ / ₈	

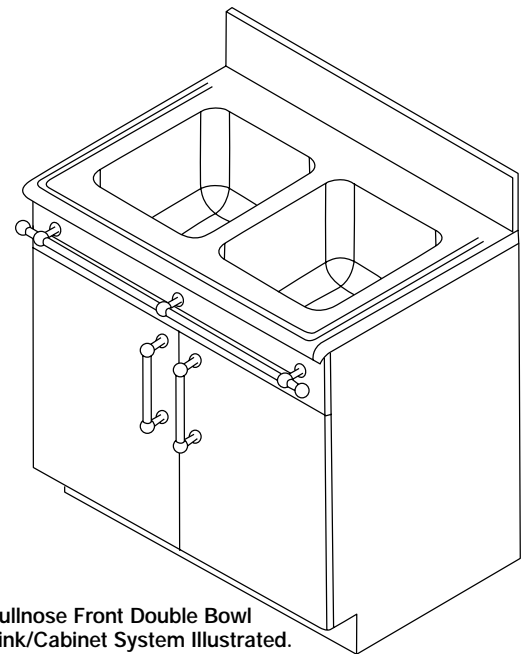
* Includes towel bar mounting holes. Towel bar not included and must be ordered separately.

Towel Bar (Not Included, Order Separately)	Length	Chrome Finish	Chrome/Gold Finish
A55208	36	X	
A55208D	36		X
A55209	48	X	
A55209D	48		X

PROFILES



Square Front Double Bowl Sink/Cabinet System Illustrated. Shown with optional Backsplash, Cabinet and Towel Bar.



Bullnose Front Double Bowl Sink/Cabinet System Illustrated. Shown with optional Backsplash, Cabinet and Towel Bar.

ALL DIMENSIONS IN INCHES, TO CONVERT TO MILLIMETERS MULTIPLY BY 25.4.

In keeping with our policy of continuing product improvement, Elkay reserves the right to change product specifications without notice.

