

# ELKAY<sup>®</sup>

## SPECIFICATIONS

### Elite Gourmet™ by Elkay 48" (1219mm) Triple Bowl Sinktop Models 4826EGT Series

#### GENERAL

Elite Gourmet Sinktop can be customized with optional back-splash, cabinet or front panel and towel bar.

#### SINK DESIGN FEATURES

Material: Professional grade Type 304 stainless steel, 16 (1.6mm) gauge sink deck with 18 (1.2mm) gauge bowls.  
 Length: Standard 48" (1219mm).  
 Bowl Depth: 7-1/2" (191mm) Left and Right, 5" (127mm) Center.  
 Outer edge of sink has a 5/32" (4mm) raised rim.  
 Underside: Fully protected by heavy duty Sound Guard™ under-coating to prevent condensation and deaden sound.  
 Hand blended to a lustrous satin finish.  
 Drain Fittings: (3) LK99 drains included.  
 Choice of front treatment: Bullnose or Square. Square front comes with towel bar mounting holes.

Sinks come standard with backsplash mounting holes. Specify "NB" suffix to order without.

**Backsplash:** For design features, reference specification sheet EG-5.

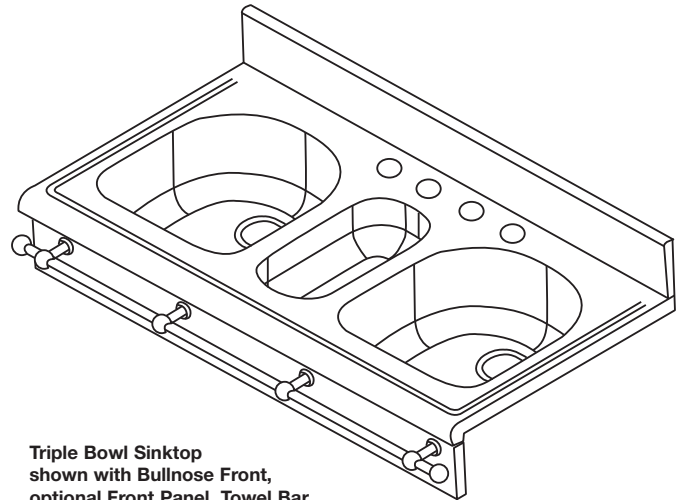
**Cabinet:** For design features, reference specification sheet EG-4.

**Front Panel:** Included with cabinet. If cabinet is not required, front panel is available as a separate component. Reference specification sheet EG-4.

**Towel Bar:** Choice of chrome or chrome with gold accent finish. Attached to front panel when combined with bullnose front treatment sinks. With square front treatment sinks, towel bar is attached to sink and not to the front panel.

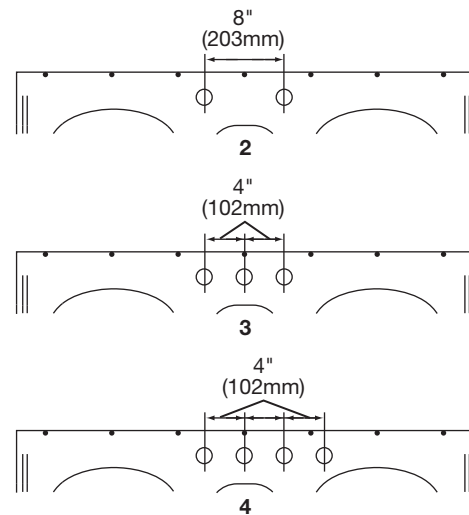
#### OPTIONAL ACCESSORIES

Bottom Grid: LKWOBG1617SS (large bowls).  
 Cutting Boards: CB1713 (large bowls), CB816, CBS715 (small bowl).  
 Rinsing Baskets: LKWRB1617SS (large bowls), LKWRB715SS (small bowl).  
 Utensil Caddy for Rinsing Basket: LKWUCSS.



Triple Bowl Sinktop shown with Bullnose Front, optional Front Panel, Towel Bar and Rectangular 3/4" (19mm) Backsplash

#### HOLE DRILLING CONFIGURATIONS



#### SINK DIMENSIONS\*

Model Number	Overall		Right Bowl			Center Bowl			Left Bowl			Front Treatment	Fits Cabinet Base	No. of 1-1/2" (44mm) Dia. Faucet Holes. 2 Hole at 8" (127mm) Centers, 3 and 4 Hole at 4" Centers. 0 Hole Std. w/2" (51mm) Backsplash
	L	W	L	W	D	L	W	D	L	W	D			
4826EGTB	48 (1219mm)	26 (660mm)	16 (406mm)	17 1/2 (445mm)	7 1/2 (191mm)	7 1/2 (191mm)	15 3/4 (400mm)	5 (127mm)	16 (406mm)	17 1/2 (445mm)	7 1/2 (191mm)	Bullnose	48" (1219mm)	0, 2, 3 or 4
4826EGTS	48 (1219mm)	26 (660mm)	16 (406mm)	17 1/2 (445mm)	7 1/2 (191mm)	7 1/2 (191mm)	15 3/4 (400mm)	5 (127mm)	16 (406mm)	17 1/2 (445mm)	7 1/2 (191mm)	Square	48" (1219mm)	0, 2, 3 or 4

\*Length is left to right. Width is front to back.

In keeping with our policy of continuing product improvement, Elkay reserves the right to change product specifications without notice. Please visit [elkayusa.com](http://elkayusa.com) for most current version of Elkay product specification sheets.

This specification describes an Elkay product with design, quality and functional benefits to the user. When making a comparison of other producers' offerings, be certain these features are not overlooked.

Elkay

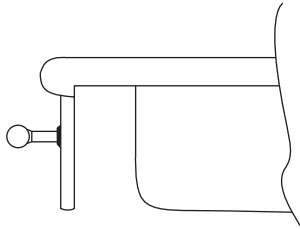
[elkayusa.com](http://elkayusa.com)

2222 Camden Court  
Oak Brook, IL 60523

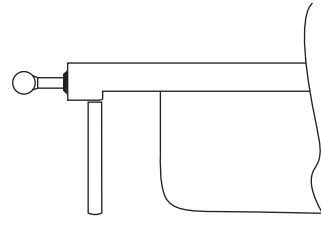
Printed in U.S.A.  
©2008 Elkay

(Rev. 10/08) EG-3C

**FRONT TREATMENT PROFILE FOR TOWEL BAR OPTIONS**

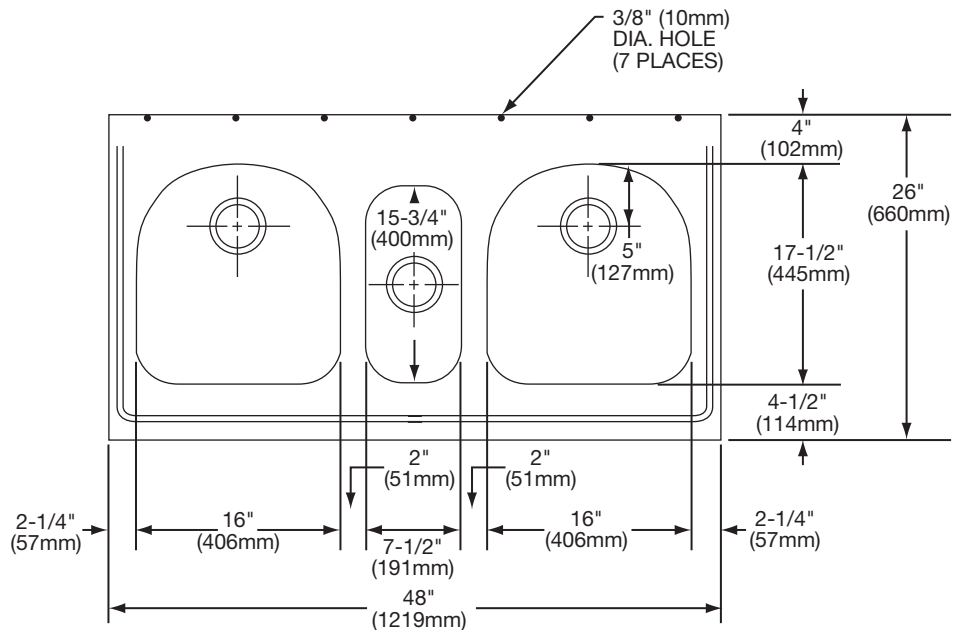


**Bullnose Front Treatment**  
 shown standard with optional  
 Towel Bar attached to optional  
 front panel.

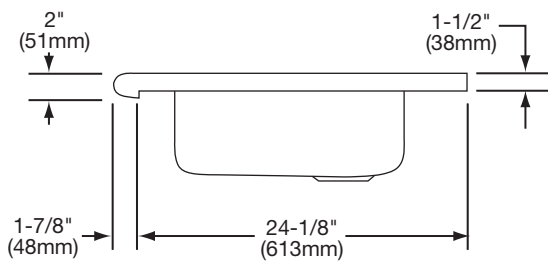


**Square Front Treatment**  
 shown standard with optional  
 Towel Bar attached to sink.

**TRIPLE BOWL TOP VIEW**



**BULLNOSE FRONT TREATMENT**



**SQUARE FRONT TREATMENT**

