

ELKAY[®]

SPECIFICATIONS

Elite Gourmet™ by Elkay

48" (1219mm) Double Bowl Sinktop

Models 4826EGDW Series

GENERAL

Elite Gourmet Sinktop can be customized with optional back-splash, cabinet or front panel and towel bar.

SINK DESIGN FEATURES

Material: Professional grade Type 304 stainless steel, 16 (1.6mm) gauge sink deck with 18 (1.2mm) gauge bowls.

Length: Standard 48" (1219mm).

Bowl Depth: 9-1/2" (241mm) Large Bowl, 6" (152mm) Disposer Bowl and 2-1/8" (54mm) Integral Ribbed Area.

Outer edge of sink has a 5/32" (4mm) raised rim.

Underside: Fully protected by heavy duty Sound Guard™ under-coating to prevent condensation and deaden sound.

Hand blended to a lustrous satin finish.

Suffix L (left) or R (right) denotes location of large bowl.

Drain Fittings: (2) LK99 drains included.

Choice of front edge treatment: Bullnose or Square. Square front comes with towel bar mounting holes.

Sinks come standard with backsplash mounting holes. Specify "NB" suffix to order without.

Backsplash: For design features, reference specification sheet EG-5.

Cabinet: For design features, reference specification sheet EG-4.

Front Panel: Included with cabinet. If cabinet is not required, front panel is available as a separate component. Reference specification sheet EG-4.

Towel Bar: Choice of chrome or chrome with gold accent finish. Attached to front panel when combined with bullnose front treatment sinks. With square front treatment sinks, towel bar is attached to sink and not to the front panel.

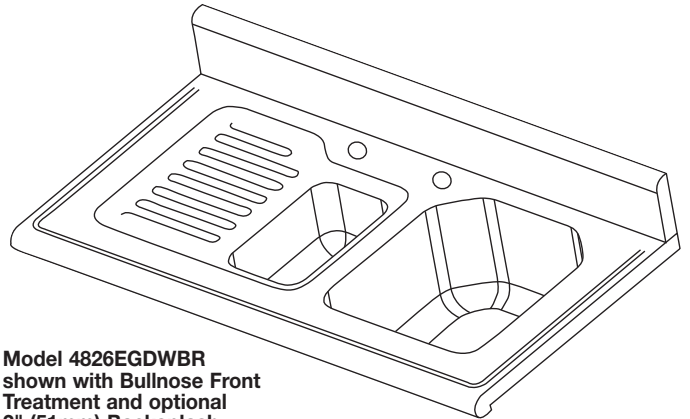
OPTIONAL ACCESSORIES

Bottom Grid: LKWOBG1618SS (large bowl).

Cutting Boards: CB1713, CBS1316 (large bowl), CBP1116, CBP1319L/R (integral ribbed area).

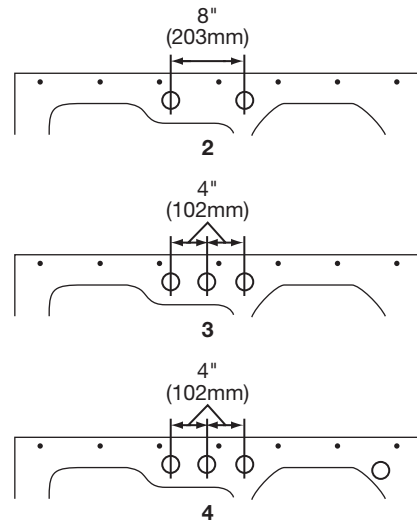
Rinsing Basket: LKWWRB1618SS.

Utensil Caddy for Rinsing Basket: LKWUCSS.



Model 4826EGDWBR
shown with Bullnose Front
Treatment and optional
2" (51mm) Backsplash

HOLE DRILLING CONFIGURATIONS



SINK DIMENSIONS*

Model Number	Overall		Left Bowl			Integral Ribbed Area			Right Bowl			Front Treatment	Fits Cabinet Base	No. of 1-1/2" (44mm) Dia. Faucet Holes. 2 Hole at 8" (127mm) Centers, 3 and 4 Hole at 4" Centers. 0 Hole Std. w/2" (51mm) Backsplash
	L	W	L	W	D	L	W	D	L	W	D			
4826EGDWBL	48 (1219mm)	26 (660mm)	16 (406mm)	18 (457mm)	9 1/2 (241mm)	12 7/8 (327mm)	18 (457mm)	2 1/8 (54mm)	7 1/2 (191mm)	12 7/8 (327mm)	6 (152mm)	Bullnose	48" (1219mm)	0, 2, 3 or 4
4826EGDWSL	48 (1219mm)	26 (660mm)	16 (406mm)	18 (457mm)	9 1/2 (241mm)	12 7/8 (327mm)	18 (457mm)	2 1/8 (54mm)	7 1/2 (191mm)	12 7/8 (327mm)	6 (152mm)	Square	48" (1219mm)	0, 2, 3 or 4
4826EGDWBR	48 (1219mm)	26 (660mm)	7 1/2 (191mm)	12 7/8 (327mm)	6 (152mm)	12 7/8 (327mm)	18 (457mm)	2 1/8 (54mm)	16 (406mm)	18 (457mm)	9 1/2 (241mm)	Bullnose	48" (1219mm)	0, 2, 3 or 4
4826EGDWSR	48 (1219mm)	26 (660mm)	7 1/2 (191mm)	12 7/8 (327mm)	6 (152mm)	12 7/8 (327mm)	18 (457mm)	2 1/8 (54mm)	16 (406mm)	18 (457mm)	9 1/2 (241mm)	Square	48" (1219mm)	0, 2, 3 or 4

*Length is left to right. Width is front to back.

In keeping with our policy of continuing product improvement, Elkay reserves the right to change product specifications without notice. Please visit elkayusa.com for most current version of Elkay product specification sheets.

This specification describes an Elkay product with design, quality and functional benefits to the user. When making a comparison of other producers' offerings, be certain these features are not overlooked.

Elkay

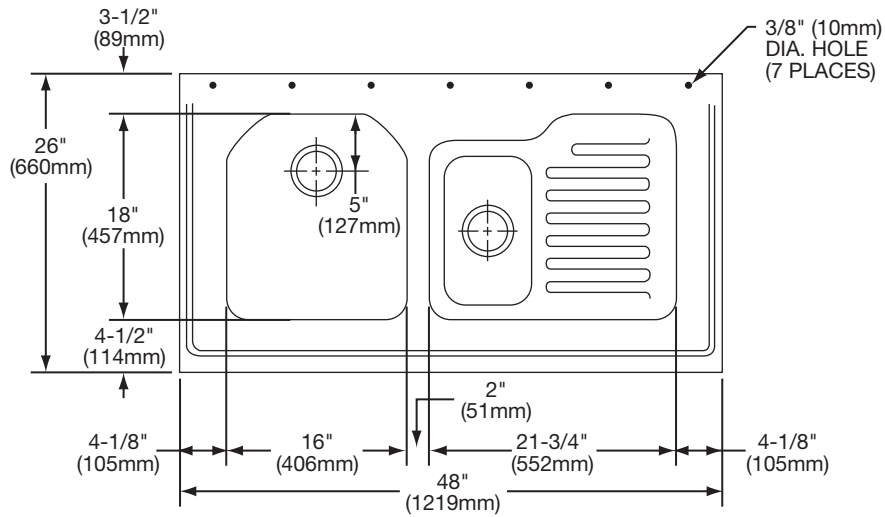
elkayusa.com

2222 Camden Court
Oak Brook, IL 60523

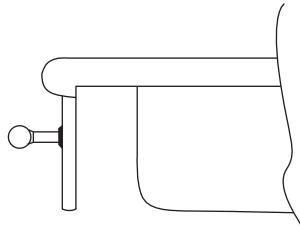
Printed in U.S.A.
©2008 Elkay

(Rev. 10/08) EG-9B

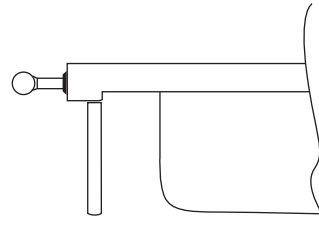
TOP VIEW



FRONT TREATMENT PROFILE FOR TOWEL BAR OPTIONS

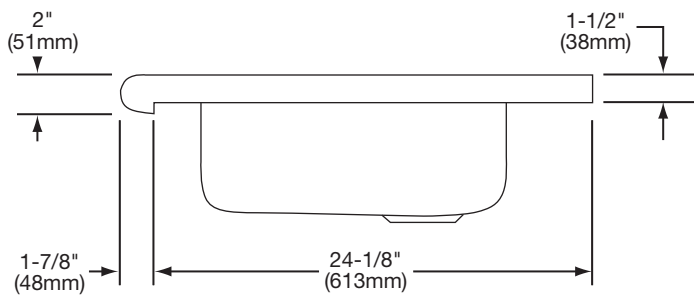


Bullnose Front Treatment
 shown standard with optional
 Towel Bar attached to optional
 front panel.



Square Front Treatment
 shown standard with optional
 Towel Bar attached to sink.

BULLNOSE FRONT TREATMENT



SQUARE FRONT TREATMENT

