

ELKAY® SPECIFICATIONS

Echo Single Bowl Sink Model ECTC252210 Series

GENERAL

Formed of #18 (1.2mm) gauge bowl featuring a #20 (0.9mm) gauge deck, type 304 nickel bearing stainless steel. Top Mount.

DESIGN FEATURES

Bowl Depth: 10" (254mm).

Coved Corners: 1-7/32" (30mm) vertical and horizontal radius.

Raised Rim: 1-1/4" (32mm) above outside edge of sink.

Finish: Exposed surfaces are polished to a lustrous satin finish.

Maximum countertop thickness: 1-3/8" (35mm).

Underside: Fully protected by heavy duty Sound Guard undercoating to prevent condensation and dampen sound.

OTHER

Drain Opening: 3-1/2" (89mm).

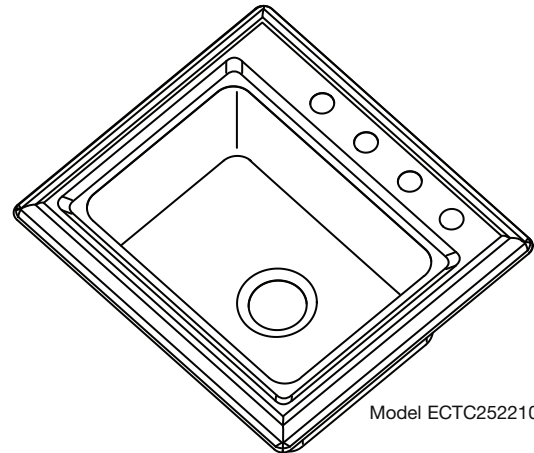
NOTE: Unless otherwise specified, sink is furnished with 4 faucet holes as illustrated.

Sink does not comply with ASME A112.19.3.

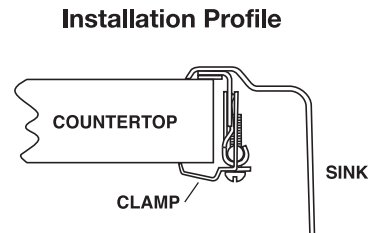
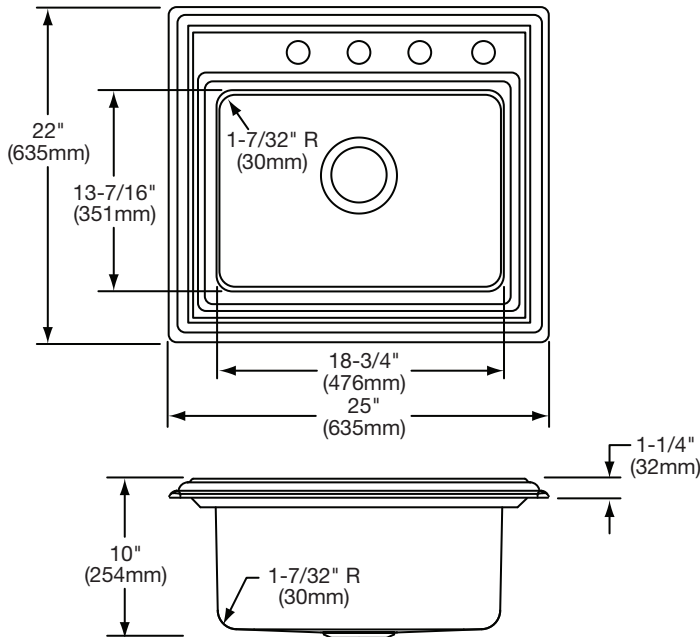
SINK DIMENSIONS*

Model Number	Overall		Inside Bowl			Cutout in Countertop [1 1/2" (38mm) Corner Radius]		No. of 1 1/2" (38mm) Dia. Faucet Holes 4" (102mm) Center	Minimum Cabinet Size
	L	W	L	W	D	L	W		
ECTC252210	25 (635mm)	22 (559mm)	18 3/4 (476mm)	13 7/16 (351mm)	10 (254mm)	24 3/8 (619mm)	21 3/8 (543mm)	1,2,MR2,3,4,5	30 (762mm)

*Length is left to right. Width is front to back.



Model ECTC2522104



In keeping with our policy of continuing product improvement, Elkay reserves the right to change product specifications without notice. Please visit elkayusa.com for most current version of Elkay product specification sheets.

This specification describes an Elkay product with design, quality and functional benefits to the user. When making a comparison of other producers' offerings, be certain these features are not overlooked.

Elkay

elkayusa.com

2222 Camden Court
Oak Brook, IL 60523

Printed in U.S.A.
©2008 Elkay

(Rev. 6/08) 1-305A

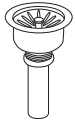
**Echo Single Bowl Sink
Model ECTC252210 Series**

**ELKAY®
SPECIFICATIONS**

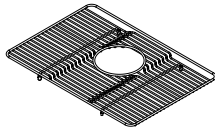
OPTIONAL ACCESSORIES*

Model Number	Description	Overall			Material
		L	W	Depth/Thickness	
LK99	Drain	Fits 3 1/2" (89mm) Drain Opening		Drain Opening	Stainless Steel
LKEOBG1915SS	Bottom Grid	17 5/8 (448mm)	12 1/4 (311mm)	1 1/4 (32mm)	Stainless Steel
LKERB1915SS	Rinsing Basket	17 5/8 (448mm)	12 1/4 (311mm)	7 (178mm)	Stainless Steel
LKWUCSS	Utensil Caddy for rinsing basket	15 1/8 (384mm)	3 1/2 (89mm)	4 3/8 (111mm)	Stainless Steel
LKCB1915HW	Cutting Board	14 11/16 (373mm)	14 11/16 (373mm)	1 (25mm)	Hardwood

*Length is left to right. Width is front to back.



LK99



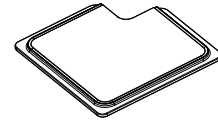
LKEOBG1915SS



LKERB1915SS



LKWUCSS



LKCB1915HW

HOLE DRILLING CONFIGURATIONS

