

# ELKAY<sup>®</sup>

## SPECIFICATIONS

### Sink Accessories Drain Fitting

Models LK18, LK18B, LKVR18,  
LKVR18B and LK372

#### DESIGN FEATURES

##### LK18

- Nickel plated brass body with grid strainer
- Fits 3-1/2" (89mm) opening
- Polished finish
- Nickel plated brass 1-1/2" (38mm) x 4" (102mm) tailpiece

##### LK18B

- Type 304 stainless steel body with grid strainer
- Fits 3-1/2" (89mm) opening
- Polished finish
- Type 304 stainless steel 1-1/2" (38mm) x 4" (102mm) tailpiece

##### LK372

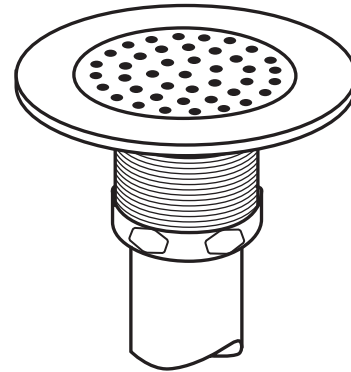
- Type 316 stainless steel body with grid strainer
- Fits 3-1/2" (89mm) opening
- Polished finish
- Type 316 stainless steel 1-1/2" (38mm) x 4" (102mm) tailpiece

##### LKVR18

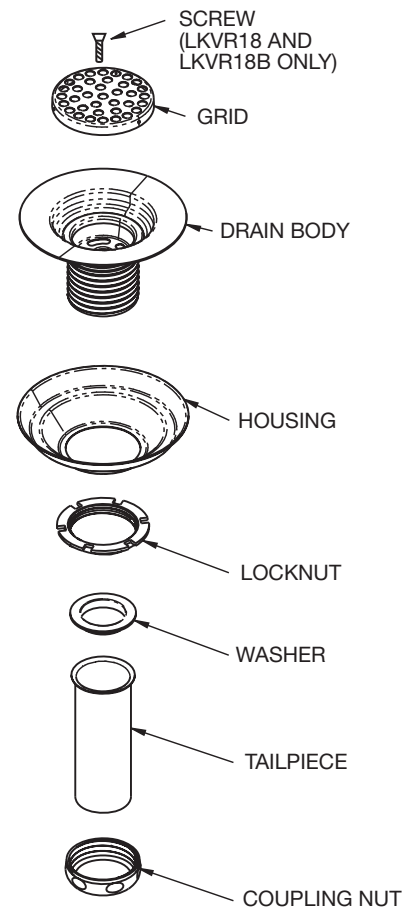
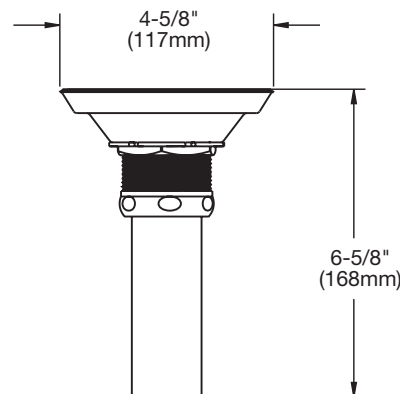
- Nickel plated brass body with vandal resistant grid strainer
- Fits 3-1/2" (89mm) opening
- Polished finish
- Nickel plated brass 1-1/2" (38mm) x 4" (102mm) tailpiece

##### LKVR18B

- Type 304 stainless steel body with vandal resistant grid strainer
- Fits 3-1/2" (89mm) opening
- Polished finish
- Type 304 stainless steel 1-1/2" (38mm) x 4" (102mm) tailpiece



Model LK18



*In keeping with our policy of continuing product improvement, Elkay reserves the right to change product specifications without notice. Please visit [elkayusa.com](http://elkayusa.com) for most current version of Elkay product specification sheets.*

*This specification describes an Elkay product with design, quality and functional benefits to the user. When making a comparison of other producers' offerings, be certain these features are not overlooked.*

**Elkay**

[elkayusa.com](http://elkayusa.com)

2222 Camden Court  
Oak Brook, IL 60523

Printed in U.S.A.  
©2008 Elkay

(Rev. 10/08)

15-13D