

# ELKAY® SPECIFICATIONS

## Design Inspirations '08 by Fu-Tung Cheng Double Bowl Undermount Sink Models DSGNR72199 and DSGNR72199C

### GENERAL

Highest quality sink fabricated of #18 (1.2mm) gauge, type 304 (18-8) nickel-bearing stainless steel. Marrying the aesthetic with the practical, Fu-Tung Cheng has created versatile, multi-function workspaces in signature sculptural shapes.

Sink Model DSGNR72199C includes all optional accessories listed below in one convenient package.

### DESIGN FEATURES

Bowl Depth: 9" (229mm) and 1-15/16" (49mm).

The unique design of the DSGNR72199 allows it to be mounted with the small bowl on either the left or right side.

Finish: Exposed surfaces have a polished satin finish.

Underside: Fully protected by heavy duty Sound Guard® undercoating designed to prevent condensation and dampen sound.

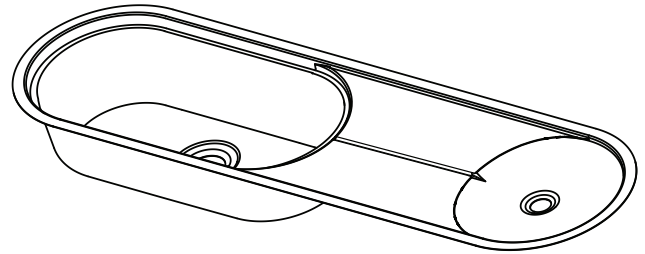
### OTHER

Drain Opening: Large 3-1/2" (89mm); Small 2" (51mm).

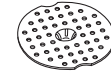
Drain Cover: LKDC6 included.

All Elkay undermount sinks are designed to affix to the underside of any solid surface countertop.

Sinks comply with ASME A112.19.3.



Model DSGNR72199



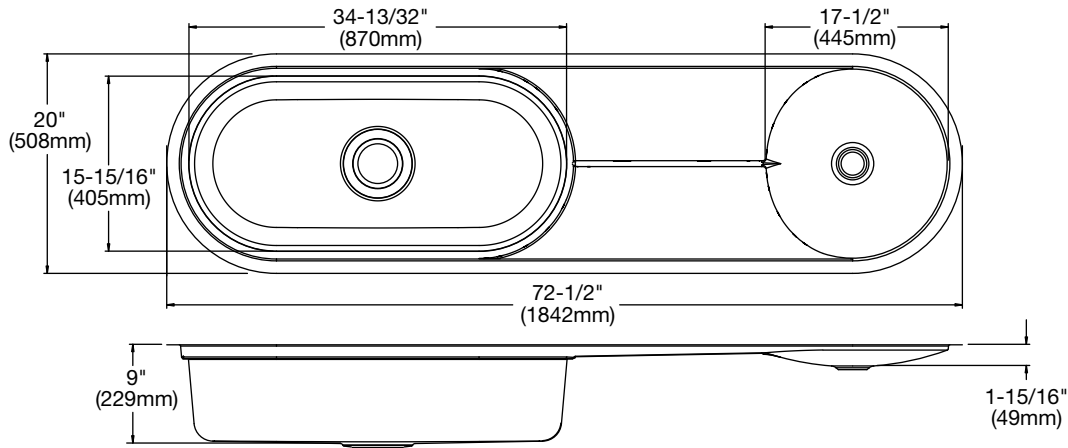
LKDC6 Drain Cover  
(Included)

### SINK DIMENSIONS\*

Model Number	Overall		Inside Large Bowl			Inside Middle Work Surface			Inside Small Bowl		Drain Opening		Cutout in Countertop	Minimum Cabinet Size
	L	W	L	W	D	L	W	D	Diameter	D	Large	Small		
DSGNR72199	72 1/2 (1842mm)	20 (508mm)	34 13/32 (870mm)	15 15/16 (409mm)	9 (229mm)	13 13/32 (337mm)	17 1/2 (445mm)	Pitched	17 1/2 (445mm)	1 15/16 (49mm)	3 1/2 (89mm)	2 (51mm)	See Template**	Custom
DSGNR72199C	72 1/2 (1842mm)	20 (508mm)	34 13/32 (870mm)	15 15/16 (409mm)	9 (229mm)	13 13/32 (337mm)	17 1/2 (445mm)	Pitched	17 1/2 (445mm)	1 15/16 (49mm)	3 1/2 (89mm)	2 (51mm)	See Template**	Custom

\*Length is left to right. Width is front to back.

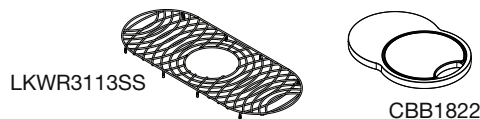
\*\*Template and countertop mounting clips are packed with every sink.



### OPTIONAL ACCESSORIES\*

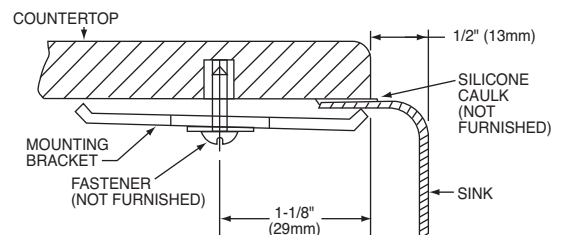
Model Number	Description	Overall			Material
		L	W	Depth/Thickness	
LKWR3113SS	Bottom Grid	31 1/2 (800mm)	13 (330mm)	1 3/8 (35mm)	Stainless Steel
CBB1822	Cutting Board	26 3/8 (670mm)	18 1/4 (464mm)	1 1/2 (38mm)	Hardwood

\*Length is left to right. Width is front to back.



### Installation Profile

The template provided with each DSGNR sink provides the only type of installation recommended by Elkay.



In keeping with our policy of continuing product improvement, Elkay reserves the right to change product specifications without notice. Please visit [elkayusa.com](http://elkayusa.com) for most current version of Elkay product specification sheets.

This specification describes an Elkay product with design, quality and functional benefits to the user. When making a comparison of other producers' offerings, be certain these features are not overlooked.

**Elkay**

[elkayusa.com](http://elkayusa.com)

2222 Camden Court  
Oak Brook, IL 60523

Printed in U.S.A.  
©2008 Elkay

(Rev. 6/08) 1-314A