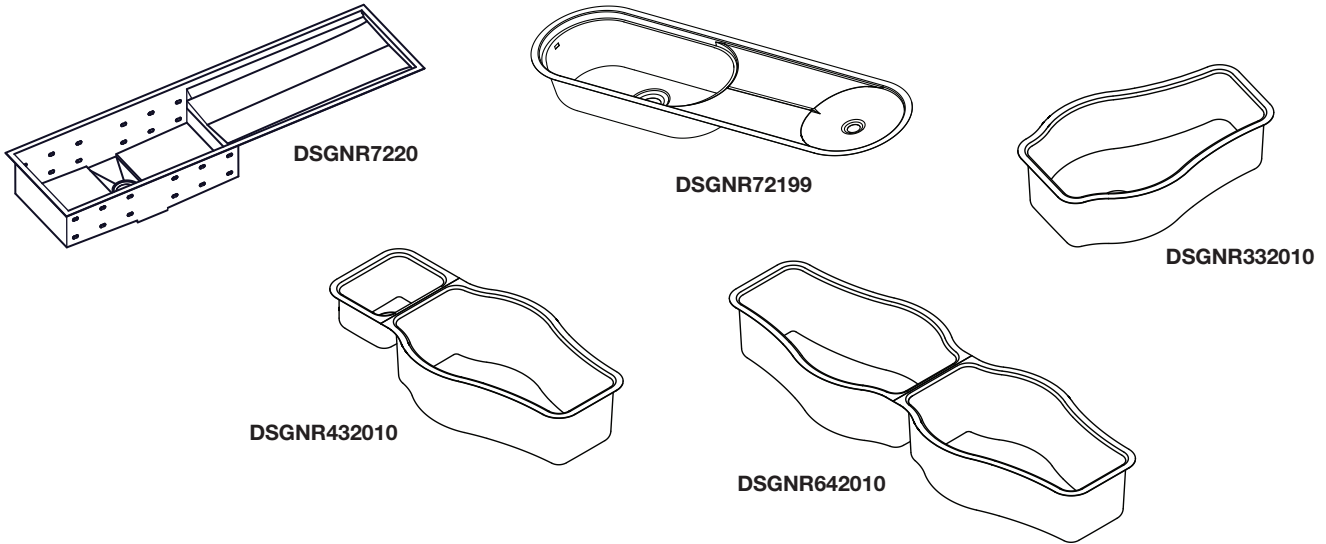


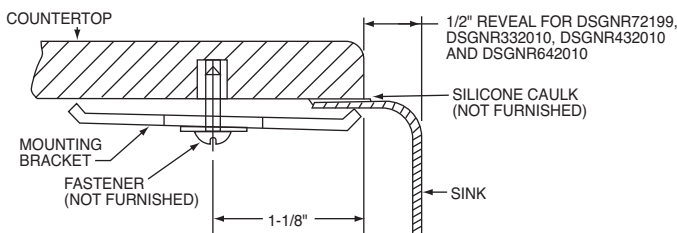
Installation Instructions

Design Inspirations by Elkay Undermount Sinks

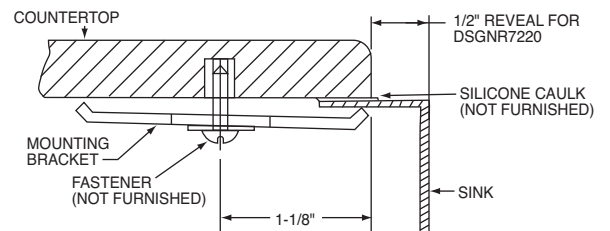


ATTENTION INSTALLER:

- 1) ELKAY RECOMMENDS THAT UNDERMOUNT SINKS SHOULD BE INSTALLED BY A PROFESSIONAL EXPERIENCED INSTALLER.
- 2) WARNING: THE ENCLOSED CUTOUT TEMPLATE WILL CREATE THE ONLY COUNTERTOP OPENING RECOMMENDED FOR INSTALLATION. IT IS RECOMMENDED THAT YOU DISCUSS THIS WITH YOUR CUSTOMER AND AGREE THAT THIS FINISHED APPEARANCE IS THE DESIRED EFFECT. ELKAY IS NOT RESPONSIBLE FOR IMPROPER SINK OR COUNTERTOP INSTALLATIONS. DUE TO THE AESTHETIC QUALITIES OF THE CONVERGING BOWL RADII, THE TEMPLATE FURNISHED WITH EACH SINK PROVIDES THE ONLY OPENING RECOMMENDED FOR INSTALLATION OF ELKAY UNDERMOUNT SINKS. SEE ILLUSTRATION BELOW.
- 3) ELKAY UNDERMOUNT SINKS SHOULD ONLY BE FASTENED TO A SOLID SURFACE COUNTERTOP (I.E. GRANITE/CORIAN®/SILESTONE®).
- 4) ELKAY IS NOT RESPONSIBLE FOR SINK OR COUNTERTOP IF DAMAGED DURING INSTALLATION.
- 5) METAL EDGES MAY BE SHARP - USE CAUTION WHEN HANDLING.
- 6) FOLLOW ALL LOCAL PLUMBING AND BUILDING CODES.
- 7) INSPECT SINK FOR DAMAGE PRIOR TO BEGINNING INSTALLATION.
- 8) A CUSTOM SINK BASE CABINET MAY BE REQUIRED.
- 9) THE FURNISHED TEMPLATE MUST BE USED TO ALLOW FOR PROPER CUTTING BOARD FIT (SOLD SEPARATELY).



Mounting for DSGNR72199, DSGNR332010,
DSGNR432010 and DSGNR642010



Mounting for DSGNR7220

Installation Instructions

USE AND CARE HINTS

Easy Cleaning Instructions

Rinsing is the most important part of sink care. An Elkay stainless steel sink finish will retain its original bright appearance if the sink is **rinsed** thoroughly after each use. "Thorough" rinsing can be done by running the water from the spray hose for a few minutes. Typically, a rinse and towel drying after each use takes care of most everyday clean ups. For everyday cleaning we recommend using Elkay's Stainless Butler Stainless Steel Cleaner + Polisher. The non-abrasive formula is safe and effective for day to day cleaning. Your sink will shine like new!

Discoloration, Rust and Possible Pitting

Wet sponges, clothes, cleaning pads and rubber mats left on the sink can lead to discoloration. Steel wool pads should never be used to clean your sink as they leave small iron particles in the grain lines which rust and can damage the sink. Continued usage in this manner may eventually lead to the sink itself rusting and pitting.

Liquid Soap

Do not allow concentrated liquid detergent to dry on your sink. Most brands contain chemical additives which will affect the original high luster finish.

Chlorides

Today, chlorides are found in almost all soaps, detergents, bleaches and cleansers. Chlorides are not friendly to the stainless steel surface. They should not come in contact with the surface of the sink for extended periods. When these chemicals are used in your sink, it should be thoroughly rinsed. This is especially noticed when clothes are soaked in a diluted bleach mixture. This mixture can attack the sink at the water line and cause rusting and pitting.

Spotting

The quality of your water can affect your sink's appearance. In areas with hard water, a brown surface stain can form on the sink giving the appearance of rust. This phenomena also occurs in water with high iron content. Additionally, in areas with a high concentration of minerals, or with over-softened water, a white film may develop on the sink. To combat this problem, we suggest that the sink be towel dried after use.

Foods

Heavy salt concentration or foods containing high levels of salt should not be allowed to dry onto the sink surface. Rinse your sink thoroughly after use.

ELKAY LIMITED LIFETIME SINK WARRANTY

Elkay warrants to the original purchaser of an Elkay stainless steel sink that Elkay will, at its option, replace or repair, without charge, such product if it fails due to a manufacturing defect for a lifetime of normal residential use. Product replacement does not include transportation cost or labor installation cost. This warranty covers only stainless steel self-rimming drop-in sinks installed in a conventional countertop surface and stainless steel undermount sinks installed in a conventional solid surface countertop and applies to residential installations only. Elkay reserves the right to examine product in question and its installation prior to replacement.

WASTE FITTINGS AND ACCESSORIES ARE NOT WARRANTED

OTHER WARRANTY CONDITIONS ON SINKS

This warranty applies to sinks purchased after March 1st 2001 as shown on the purchaser's dated receipt. For sinks purchased prior to March 1st 2001, the applicable warranty at that time will be in effect. Our warranty does not cover product failure or damage caused by the use of optional Elkay accessories, abusive treatment, misuse, environmental factors, normal wear including dents and scratches, improper care and cleaning, use of aggressive and abrasive cleaners, damage due to handling or failure to follow the recommended procedures for installation, care and maintenance as detailed in the installation and care guide provided with every sink. This warranty is extended only to the original consumer purchaser of the product. This warranty does not cover shipping costs, labor costs, or any other charges for such items as installation or replacement of the sink, diagnosis or replacement of any faucet or component part, or any other expense or loss.

All incidental or consequential damages are specifically excluded. No additional warranties, express or implied are given, including but not limited to, any implied warranty of merchantability or fitness for a particular purpose.

Some states do not allow the exclusion or limitation of incidental or consequential damages or limitations on how long an implied warranty lasts, so the above limitations or exclusions may not apply to you.

This warranty gives you specific legal rights, and you may also have other rights which vary from state to state.

TO OBTAIN SERVICE UNDER WARRANTY

1. Write to: Elkay Manufacturing Company
Attention: Consumer Services
2222 Camden Court
Oak Brook, IL 60523
2. Include a letter containing the following information:
 - a. Date of purchase and installation
 - b. Proof of Purchase (copy of original dated invoice)
 - c. Description of nature of defect
 - d. Model number or description of model and/or component part if possible.