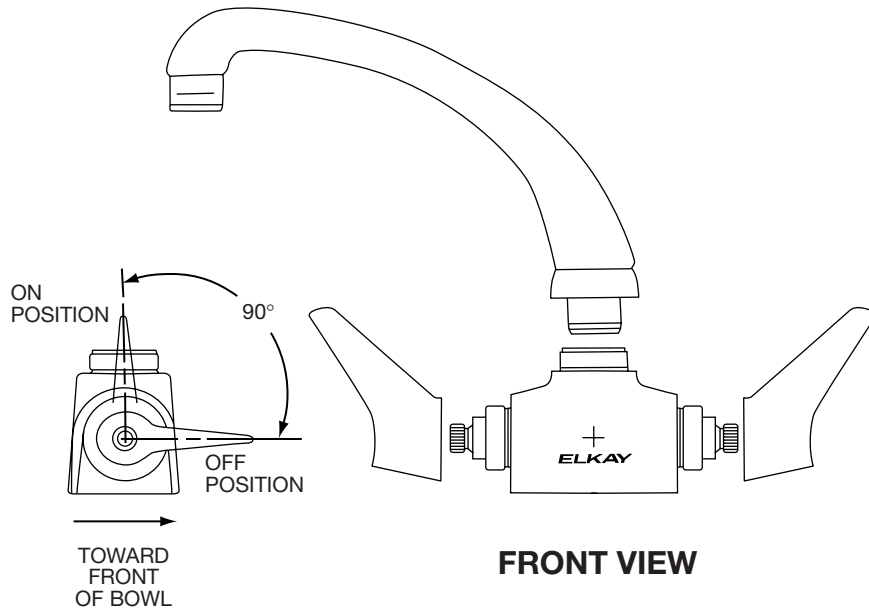


Installation Instructions**TO ASSEMBLE YOUR NEW ELKAY LKD2230 FAUCET**

When assembling your LKD2230 faucet the waterway should be mounted with the “**ELKAY**” marking on the faucet body facing toward the sink bowl. The handles should be assembled so that the 90 degrees rotation is oriented properly. Rotate each cartridge downward before installing handle. Once cartridge is in “off” position, install handle so it is parallel to bottom of sink bowl.

**Installation Instructions****TO ASSEMBLE YOUR NEW ELKAY LKD2230 FAUCET**

When assembling your LKD2230 faucet the waterway should be mounted with the “**ELKAY**” marking on the faucet body facing toward the sink bowl. The handles should be assembled so that the 90 degrees rotation is oriented properly. Rotate each cartridge downward before installing handle. Once cartridge is in “off” position, install handle so it is parallel to bottom of sink bowl.

