

ELKAY[®]

SPECIFICATIONS

Avado™ Collection

Undermount Single Bowl Sink

Model EFUS342110R

GENERAL

Highest quality sink fabricated of #16 (1.6mm) gauge, type 304 (18-8) nickel bearing stainless steel.

DESIGN FEATURES

Bowl Depth: 10" (254mm).

Coved Corners: Zero radius.

Finish: Exposed surfaces are polished to a bright satin finish.

Underside: Fully protected by heavy duty Sound Guard[®] undercoating to dampen sound and prevent condensation.

OTHER

Drain Opening: 3-1/2" (89mm).

NOTE: All Elkay undermount sinks are designed to attach to the underside of any solid surface countertop.

This sink complies with ASME A112.19.3.

OPTIONAL ACCESSORIES

Rinsing Basket: LKWERBSS.

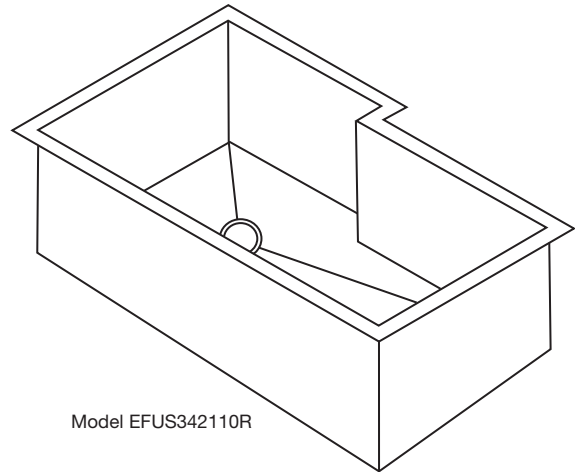
Utensil Caddy for Rinsing Basket: LKWUCSS.

SINK DIMENSIONS*

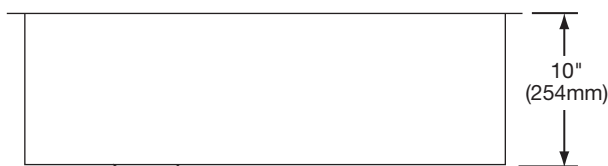
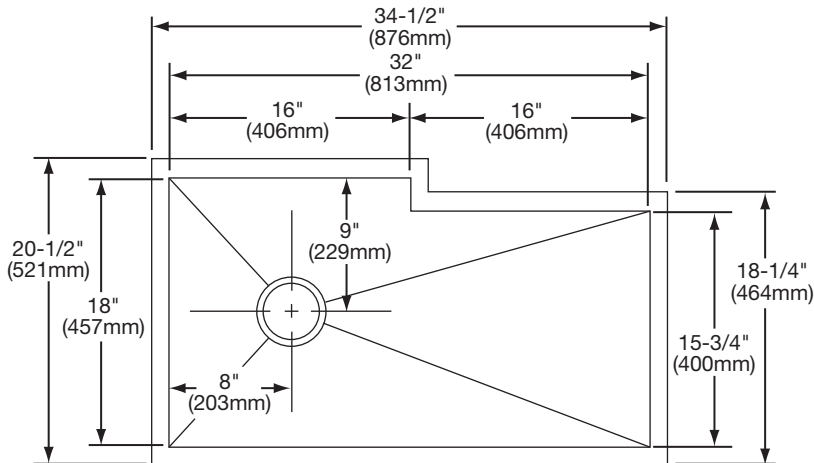
| Model Number | Overall | | Inside Bowl | | | Cutout in Countertop | Minimum Cabinet Size |
|--------------|-------------------|-------------------|---------------|---------------|---------------|----------------------|----------------------|
| | L | W | L | W | D | | |
| EFUS342110R | 34 1/2 (876mm) | 20 1/2 (521mm) | 32 (813mm) | 18 (457mm) | 10 (254mm) | See Template** | 39 (991mm) |

*Length is left to right. Width is front to back.

**Template and countertop mounting clips are packed with every sink.

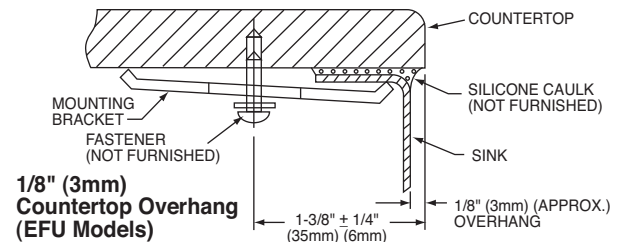


Model EFUS342110R



Installation Profile of EFU Models

The template provided with each EFU sink provides the only type of installation recommended by Elkay.



In keeping with our policy of continuing product improvement, Elkay reserves the right to change product specifications without notice. Please visit elkayusa.com for most current version of Elkay product specification sheets.

This specification describes an Elkay product with design, quality and functional benefits to the user. When making a comparison of other producers' offerings, be certain these features are not overlooked.

Elkay

elkayusa.com

2222 Camden Court
Oak Brook, IL 60523

Printed in U.S.A.
©2008 Elkay

(Rev. 7/08)

1-239A