

# ELKAY® SPECIFICATIONS

## Asana® Undermount Single Bowl Lavatory Sink Models ELU1511 and ELUH1511

### GENERAL

Highest quality sink formed of #18 (1.2mm) gauge, type 304 (18-8) nickel bearing stainless steel. Undermount.

### DESIGN FEATURES

Bowl Depth: 6" (152mm).

Finish: Exposed surfaces are hand blended to a lustrous satin finish.

Underside: Underside of sink is fully protected by heavy duty Sound Guard™ undercoating to prevent condensation and dampen sound.

### OTHER

Drain Opening: 1-5/8" (41mm).

Overflow: Sink comes with LKF293 overflow assembly.

Note: All Elkay undermount sinks are designed to affix to the underside of any solid surface countertop.

These sinks comply with Standards ASME A112.19.3 and CSA B45.4



These sinks are listed by the International Association of Plumbing and Mechanical Officials as meeting the requirements of the Uniform Plumbing Code.

### OPTIONAL ACCESSORIES

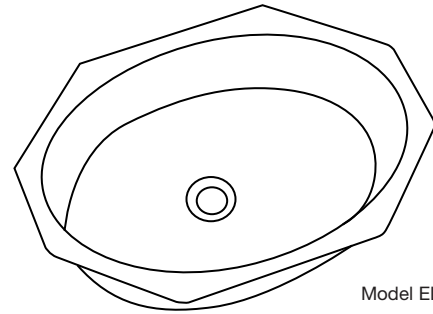
Drains: LK174, LK175.

### SINK DIMENSIONS\*

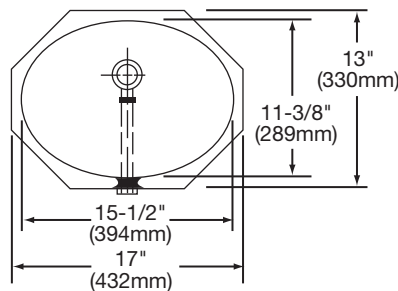
Model Number	Overall		Inside Bowl			Cutout in Countertop	Minimum Cabinet Size
	L	W	L	W	D		
ELU1511	17 (432mm)	13 (330mm)	15 1/2" (394mm)	11 3/8" (289mm)	6 (152mm)	See Template**	21 (533mm)
ELUH1511	18 (457mm)	14 (356mm)	15 1/2" (394mm)	11 3/8" (289mm)	6 (152mm)		21 (533mm)

\*Length is left to right. Width is front to back.

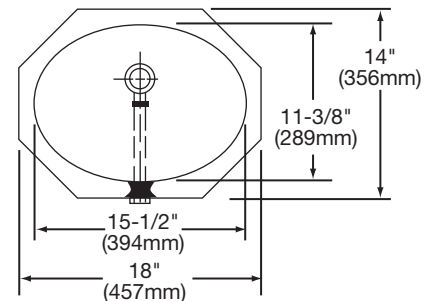
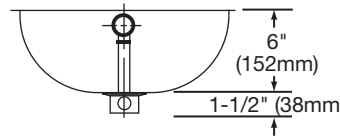
\*\*Template and countertop mounting clips are packed with every sink.



Model ELU1511



ELU1511 Illustrated

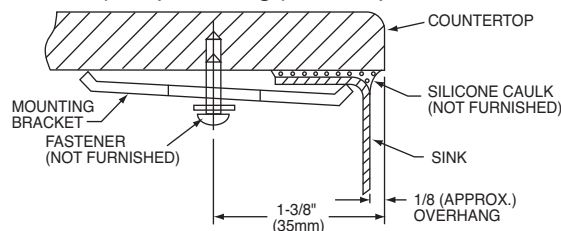


ELUH1511 Illustrated

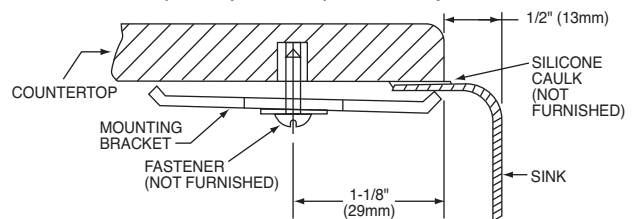
### Installation Profile of ELU and ELUH Single Bowl Models

The template provided with each ELU/ELUH sink provides the only type of installation recommended by Elkay.

#### 1/8" (3mm) Overhang (ELU Sink)



#### 1/2" (13mm) Reveal (ELUH Sink)



In keeping with our policy of continuing product improvement, Elkay reserves the right to change product specifications without notice. Please visit [elkayusa.com](http://elkayusa.com) for most current version of Elkay product specification sheets.

This specification describes an Elkay product with design, quality and functional benefits to the user. When making a comparison of other producers' offerings, be certain these features are not overlooked.