

# ELKAY<sup>®</sup>

## SPECIFICATIONS

### Lustertone<sup>®</sup> Single Bowl Round Lavatory Sink Model LLVR19

#### GENERAL

Highest quality lavatory sink formed of #18 gauge, type 304 (18-8) nickel bearing stainless steel. Self-rimming.

#### DESIGN FEATURES

Bowl Depth: 7".

Finish: Exposed surfaces are polished to a lustrous, highlighted satin finish.

Underside: Fully undercoated to dampen sound and prevent condensation.

#### OTHER

Drain opening: 1-1/2", 2-1/4" O.D. at top of countersink. Arranged for standard lavatory type drain fitting.

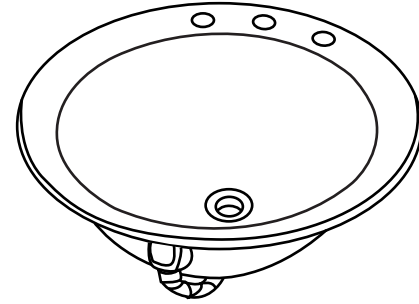
Overflow: LKF296 flexible overflow assembly.

Note: Unless otherwise specified, sink is furnished with 3 faucet holes as shown.

This sink complies with ASME A112.19.3.



This sink is listed by the International Association of Plumbing and Mechanical Officials as meeting the requirements of the Uniform Plumbing Code.

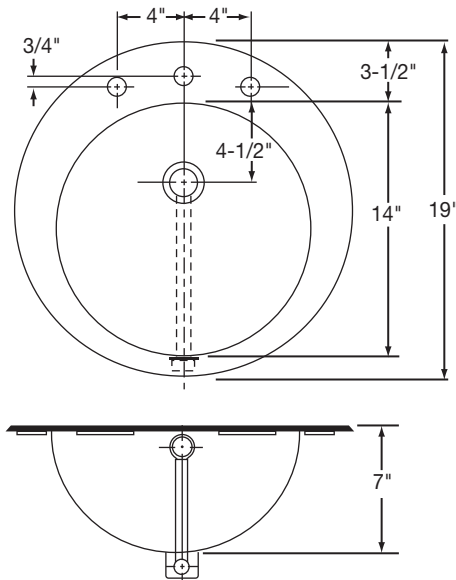


Model LLVR193

#### SINK DIMENSIONS (INCHES)\*

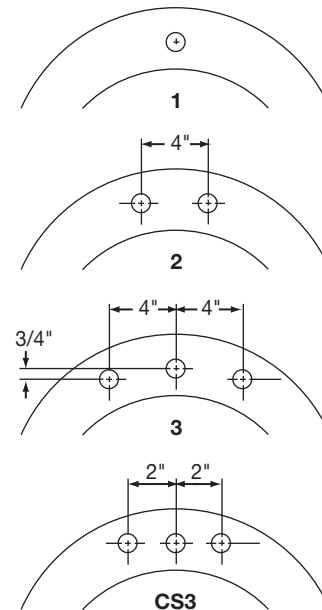
Model Number	Overall			With Overflow	Cutout in Countertop Use Sink Upside-down as template and cut 5/16" INSIDE Sink Outline.	1 1/4" Dia. Faucet Holes No. & Ctrs.	Minimum Cabinet Size
	Outside Diameter	Inside Diameter	Depth				
LLVR19	19	14	7	Yes		1, 2, or 3 - 4" Ctrs. CS3 - 2" Ctrs.	24"

\*Length is left to right. Width is front to back.



Model LLVR193 Illustrated

#### HOLE DRILLING CONFIGURATIONS



ALL DIMENSIONS IN INCHES, TO CONVERT TO MILLIMETERS MULTIPLY BY 25.4.

In keeping with our policy of continuing product improvement, Elkay reserves the right to change product specifications without notice.

This specification describes an Elkay product with design, quality and functional benefits to the user. When making a comparison of other producers' offerings, be certain these features are not overlooked.

Elkay

elkayusa.com

2222 Camden Court  
Oak Brook, IL 60523

Printed in U.S.A.  
©2007 Elkay

(Rev. 7/07) 1-55D