

ELKAY[®]

SPECIFICATIONS

Pursuit™ Laundry/Utility Top Mount Sinks Models PLA Series

GENERAL

Highest quality sink formed of #18 (1.2mm) gauge, type 316 nickel bearing stainless steel. Top mount.

DESIGN FEATURES

Bowl Depth: 10-1/8" (257mm) (PLA191910, PLA332210) or 12-1/8" (308mm) (PLA222212, PLA252212, PLA332212).

Coved Corners: 1-3/4" (44mm) vertical and horizontal radius.

Bowl and Faucet Deck Recess: 3/16" (5mm) below outside edge of sink.

Finish: Exposed surfaces are hand blended to a lustrous satin finish.

Underside: Fully protected by heavy duty enhanced Sound Guard® Plus undercoating to dampen sound and reduce condensation.

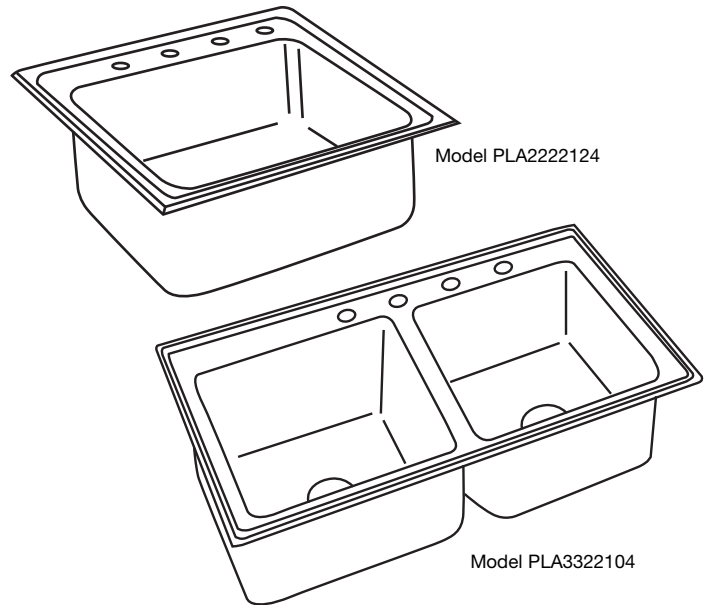
OTHER

Drain Opening: 3-1/2" (89mm).

Recommended Drain: LK335, LK372.

NOTE: Unless otherwise specified, sink PLA191910 is furnished with 3 faucet holes, all others are furnished with 4 faucet holes as shown.

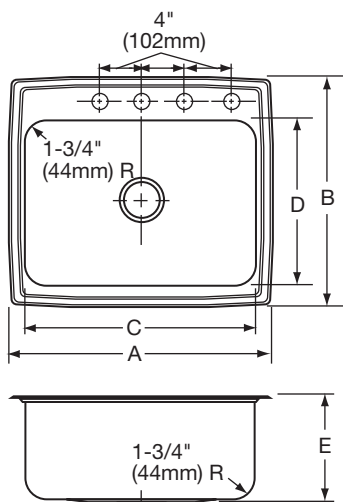
These sinks comply with ASME A112.19.3-2008/CSA B45.4-08.



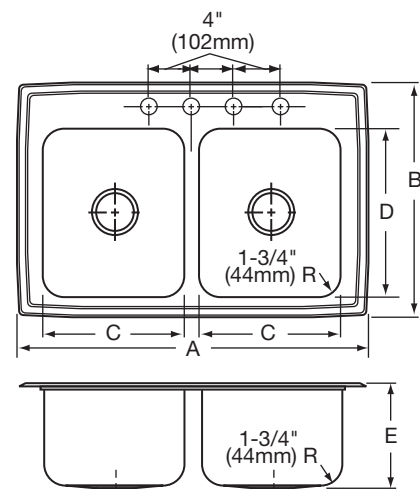
SINK DIMENSIONS*

Model Number	Number of Bowls	Overall		Inside Each Bowl			Cutout in Countertop (1 1/2" [38mm] Radius Corners)		No. of 1 1/2" (38mm) Dia. Faucet Holes 4" (102mm) Center	Minimum Cabinet Size
		L	W	L	W	D	L	W		
		A	B	C	D	E	L	W		
PLA191910	1	19 1/2 (495mm)	19 (483mm)	16 (406mm)	13 1/2 (343mm)	10 1/8 (257mm)	18 7/8 (479mm)	18 3/8 (467mm)	1, 2, MR2, 3, OS4	24 (610mm)
PLA222212	1	22 (559mm)	22 (559mm)	19 (483mm)	16 (406mm)	12 1/8 (308mm)	21 3/8 (543mm)	21 3/8 (543mm)	1, 2, MR2, 3, 4, 5	27 (686mm)
PLA252212	1	25 (635mm)	22 (559mm)	21 (533mm)	15 3/4 (400mm)	12 1/8 (308mm)	24 3/8 (619mm)	21 3/8 (543mm)	1, 2, MR2, 3, 4, 5	30 (762mm)
PLA332210	2	33 (838mm)	22 (559mm)	13 1/2 (343mm)	16 (406mm)	10 1/8 (257mm)	32 3/8 (822mm)	21 3/8 (543mm)	1, 2, MR2, 3, 4, 5	36 (914mm)
PLA332212	2	33 (838mm)	22 (559mm)	13 1/2 (343mm)	16 (406mm)	12 1/8 (308mm)	32 3/8 (822mm)	21 3/8 (543mm)	1, 2, MR2, 3, 4, 5	36 (914mm)

*Length is left to right. Width is front to back.



Single Bowl Illustrated



Double Bowl Illustrated

In keeping with our policy of continuing product improvement, Elkay reserves the right to change product specifications without notice. Please visit elkayusa.com for most current version of Elkay product specification sheets.

This specification describes an Elkay product with design, quality and functional benefits to the user. When making a comparison of other producers' offerings, be certain these features are not overlooked.

Elkay

elkayusa.com

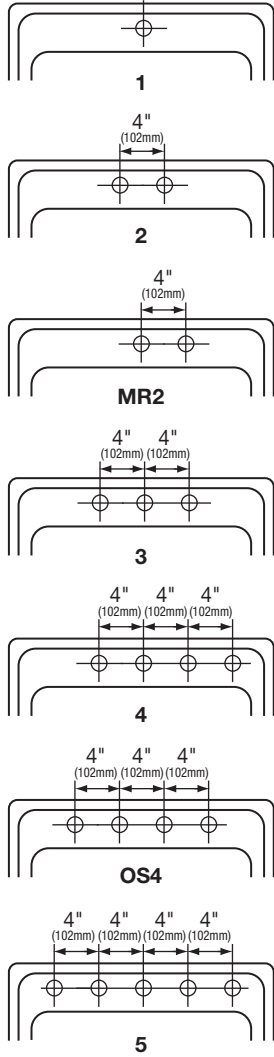
2222 Camden Court
Oak Brook, IL 60523

Printed in U.S.A.
©2008 Elkay

(Rev. 11/08)

1-289A

**SINGLE BOWL
HOLE DRILLING
CONFIGURATIONS**



**DOUBLE BOWL
HOLE DRILLING
CONFIGURATIONS**

